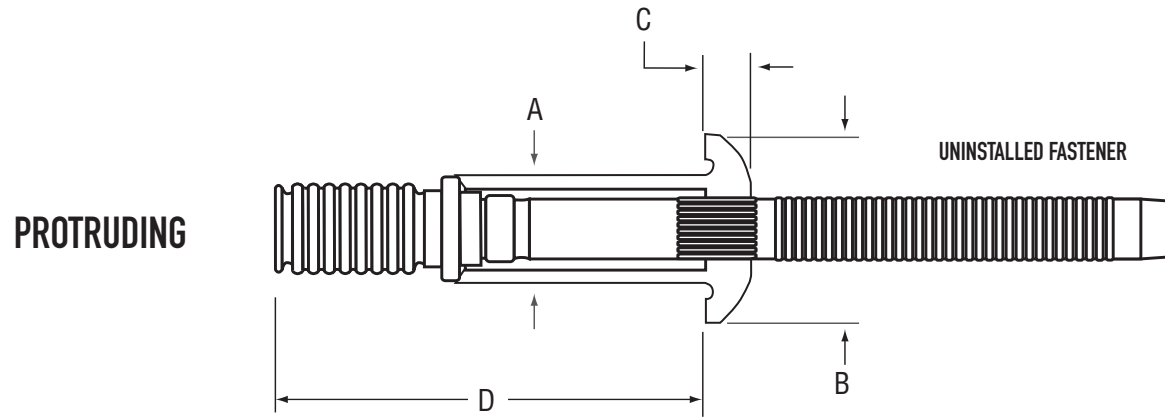


HUCKLOK



HUCK® INTERACTIVE CD ROM : DIMENSIONS

HUCKLOK

| Family | Headstyle | Material | Diameter | Grip | Part Number | Nominal Dia mm | Min Hole Size mm | Max Hole Size mm | Max B mm | Max C mm | Max D mm | Nominal A mm | MIN GRIP mm | MAX GRIP mm |
|--------|-----------|----------|----------|------|-------------|-------------------|------------------------|------------------------|----------------|----------------|----------------|--------------------|----------------|----------------|
| HKL | P | R | 8 | 6 | HKLP-R8-6* | 6.4 | 6.6 | 6.9 | 11.9 | 3.0 | 28.3 | 6.4 | 2.0 | 9.5 |
| HKL | P | R | 8 | 7 | HKLP-R8-7 | 6.4 | 6.6 | 6.9 | 11.9 | 3.0 | 29.9 | 6.4 | 4.8 | 11.1 |
| HKL | P | R | 8 | 10 | HKLP-R8-10 | 6.4 | 6.6 | 6.9 | 11.9 | 3.0 | 34.7 | 6.4 | 9.5 | 15.9 |
| HKL | P | R | 8 | 12 | HKLP-R8-12 | 6.4 | 6.6 | 6.9 | 11.9 | 3.0 | 37.9 | 6.4 | 12.7 | 19.1 |
| HKL | P | R | 8 | 14 | HKLP-R8-14 | 6.4 | 6.6 | 6.9 | 11.9 | 3.0 | 41.1 | 6.4 | 15.9 | 22.2 |

*HKLP-R8-6 - For grips below 2.5mm please use the minimum hole size for best results

HUCK® INTERACTIVE CD ROM : STRENGTHS & INSTALLED DIMENSIONS

HUCKLOK

Unless stated all values are minimum

| Part Number | SHEAR | | TENSILE - Bare | | TENSILE - PLATED | | TENSILE - BRIGHT DIP | | CLAMP | | Typical SHEAR | | Typical TENSILE - PLATED | | Pin Retention | | Typical Pin Retention | | Typical CLAMP | |
|-------------|--------|------|----------------|----|------------------|----|----------------------|----|--------|----|---------------|------|--------------------------|----|---------------|----|-----------------------|----|---------------|----|
| | Newton | kN | Newton | kN | Newton | kN | Newton | kN | Newton | kN | Newton | kN | Newton | kN | Newton | kN | Newton | kN | Newton | kN |
| HKLP-R8-6 | 15569 | 15.6 | | | 8452 | | | | | | 16903 | 16.9 | 9786 | | 1779 | | 2669 | | 0 | |
| HKLP-R8-7 | 15569 | 15.6 | | | 8452 | | | | | | 16903 | 16.9 | 9786 | | 1779 | | 2669 | | 0 | |
| HKLP-R8-10 | 15569 | 15.6 | | | 8452 | | | | | | 16903 | 16.9 | 9786 | | 1779 | | 2669 | | 0 | |
| HKLP-R8-12 | 15569 | 15.6 | | | 8452 | | | | | | 16903 | 16.9 | 9786 | | 1779 | | 2669 | | 0 | |
| HKLP-R8-14 | 15569 | 15.6 | | | 8452 | | | | | | 16903 | 16.9 | 9786 | | 1779 | | 2669 | | 0 | |

HUCK® INTERACTIVE CD ROM : HEADSTYLES

ALL PRODUCTS

| Name | Family | Part | Type | Description |
|------------|--------|--------|------|--------------------------------|
| C120L | C120L | Collar | 2 | Standard |
| C120L | C120L | Collar | 3 | Flanged |
| C120L | C120L | Collar | 8 | Low Profile |
| C120L | C120L | Pin | B | Brazier |
| C120L | C120L | Pin | T | Truss |
| C120L | C120L | Pin | 90 | Countersunk |
| C6L | C6L | Collar | 2 | Standard |
| C6L | C6L | Collar | 3 | Flanged |
| C6L | C6L | Collar | 8 | Low Profile |
| C6L | C6L | Pin | B | Brazier |
| C6L | C6L | Pin | T | Truss |
| C6L | C6L | Pin | 90 | Countersunk |
| Magna-Grip | MGP | Pin | B | Button |
| Magna-Grip | MGP | Pin | T | Truss |
| Magna-Grip | MGP | Pin | 30 | Broad Truss |
| Magna-Grip | MGP | Pin | 90 | 90 Degree Countersunk |
| Magna-Grip | MGP | Pin | 98T | Rivet |
| Magna-Grip | MG | Collar | C | Standard Flange |
| Magna-Grip | MG | Collar | CS | Medium Flange |
| Magna-Grip | MG | Collar | CW | Wide Flange |
| Hucktainer | HLP | Pin | P | Standard Low Profile |
| Hucktainer | HLP | Pin | E | Encapsulated |
| Hucktainer | HLP | Pin | M | Medium sized encapsulated |
| Hucktainer | HLP | Collar | S | Wide bearing sleeve |
| Hucktainer | HLP | Collar | SM | Medium bearing sleeve |
| Hucktainer | HLP | Collar | SC | Clearance sleeve |
| Hucktainer | HLP | Collar | SGC | Short grip clearance sleeve |
| Hucktainer | HLP | Collar | SGM | Short grip medium sleeve |
| Hucktainer | HLP | Collar | SG | Short grip wide bearing sleeve |
| C50L | C50L | Pin | R | Round |
| C50L | C50L | Pin | T | Truss |
| C50L | C50L | Pin | 90 | 90 Degree Countersunk |
| C50L | C50L | Collar | LC | Standard |
| C50L | C50L | Collar | 3LC | Flanged |

| Name | Family | Part | Type | Description |
|--------------------------|--------|--------|------|--------------------------|
| C50L | C50L | Collar | 8LC | Low Profile |
| HP8 | HP8 | Pin | F | Flanged |
| HP8 | HP | Collar | BF | Flanged |
| Huck-Fit | MHF | Pin | F | Flanged |
| Huck-Fit | MHF | Pin | P8 | Freightliner |
| Huck-Fit | MH | Collar | CH | Threaded Hex Flange |
| Huck-Spin | MHS | Collar | H | Threaded Hex Flange |
| Huck-Spin | MHS | Collar | CF | Round Flange |
| Huck-Spin | MHS | Pin | F | Hexagonal |
| Huck-Spin | MHS | Pin | PF | Round |
| Small diameter Huck-Spin | HS2 | Pin | B | Brazied |
| Small diameter Huck-Spin | HS5 | Pin | B | Brazied |
| Small diameter Huck-Spin | HS8 | Pin | B | Brazied |
| Small diameter Huck-Spin | HS2 | Pin | 90 | 90 Degree Countersunk |
| Small diameter Huck-Spin | HS5 | Pin | 90 | 90 Degree Countersunk |
| Small diameter Huck-Spin | HS2 | Collar | F | Flanged |
| Small diameter Huck-Spin | HS5 | Collar | F | Flanged |
| Small diameter Huck-Spin | HS8 | Collar | F | Flanged |
| Magna-Lok | MGL | Blind | P | Protunding |
| Magna-Lok | MGL | Blind | T | Truss |
| Magna-Lok | MGL | Blind | 100 | 100 Degree Countersunk |
| Magna-Bulb | MB | Blind | P | Protunding |
| Auto-Bulb | AB | Blind | P | Protunding |
| Magna-Tite | MT | Blind | P | Protunding |
| Magna-Tite | MT | Blind | V | 100 Degree Oval |
| Magna-Tite | MT | Blind | S | Shavable |
| Magna-Tite | MT | Blind | LP | Low Profile |
| Huck-Lok | HKL | Blind | P | Protunding |
| FloorTight | PMF | Blind | | Installation in Plywood |
| FloorTight | PMF | Blind | | Installation in Plymetal |

*BOM does not have a headstyle

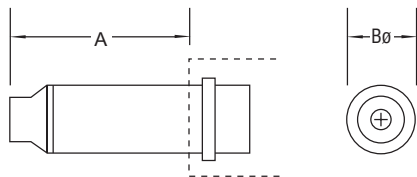
HUCK® INTERACTIVE CD ROM : MATERIALS & COATINGS

ALL PRODUCTS

| Family | Part | Material Code | Material | Standard Coating | Standard Coating Code | Tab-Lok Available |
|--------------------------|--------------------------------|---------------|---------------------------------|---|-----------------------|-------------------|
| Auto-Bulb | Pin | R | Medium Carbon Steel | "Zinc plate, gold chromate" | | |
| Auto-Bulb | Sleeve | R | Low Carbon Steel | "Zinc plate, gold chromate" | | |
| BOM | Pin - 4.8mm to 7.9mm diameter | R | Carbon Steel | Bare | | |
| BOM | Pin - 9.5mm to 19.1mm diameter | R | Alloy Steel | Bare | | |
| BOM | Sleeve | R | Carbon Steel | Zinc plating per spec ASTM B633 or ASTM B695. Meets specification of QQ-Z-235 and MIL-C-81562 | | |
| C120L | Collar | R/2R | Low Carbon Steel | "Zinc plate, clear chromate" | G | |
| C120L | Pin | R | Carbon Steel/Carbon Boron Steel | "Zinc plate, clear chromate" | G | |
| C50L | Collar | 2CU | Stainless Steel | Pasivated | - | Yes |
| C50L | Collar | 2R | Low Carbon Steel | "Zinc plate, clear chromate" | G | Yes |
| C50L | Collar | F | 6061 Aged Aluminium Alloy | Pasivated | - | Yes |
| C50L | Collar | I | 6061 Aluminium Alloy | Pasivated | - | Yes |
| C50L | Pin | BR | Carbon Steel/Carbon Boron Steel | Bare | - | |
| C50L | Pin | C | 2024 Aluminium Alloy | Pasivated | - | |
| C50L | Pin | F | 6061 Aluminium Alloy | Pasivated | - | |
| C50L | Pin | U | Stainless Steel | Pasivated | - | |
| C6L | Collar | 2CU | Stainless Steel | "Zinc plate, clear chromate" | G | |
| C6L | Collar | F | 5062 Aluminium Alloy | "Zinc plate, clear chromate" | G | |
| C6L | Collar | I | 6061 Aluminium Alloy | "Zinc plate, clear chromate" | G | |
| C6L | Collar | R/2R | Low Carbon Steel | "Zinc plate, clear chromate" | G | |
| C6L | Pin | C | Aluminium Alloy | "Zinc plate, clear chromate" | G | |
| C6L | Pin | F | Aluminium Alloy | "Zinc plate, clear chromate" | G | |
| C6L | Pin | R | Carbon Steel/Carbon Boron Steel | "Zinc plate, clear chromate" | G | |
| C6L | Pin | U | Stainless Steel | "Zinc plate, clear chromate" | G | |
| FloorTight | Pin | R | Steel | Black | | |
| FloorTight | Sleeve | R | Steel | Zinc electroplate eith gold chromate | | |
| HP8 | Collar | R | Low Carbon Steel | "Zinc plate, clear chromate" | G | Yes |
| HP8 | Pin | DT | Medium Carbon Steel | Bare | - | |
| Huck-Fit | Collar | | Low Carbon Steel | "Zinc plate, gold chromate" | U | Yes |
| Huck-Fit | Pin | DT | Carbon Steel/Carbon Boron Steel | Bare | - | |
| HuckLok | Pin | R | Medium Carbon Steel | "Zinc plate, clear chromate" | | |
| HuckLok | Sleeve | R | Low Carbon Steel | "Zinc plate, clear chromate" | | |
| Huck-Spin | Collar | R | Low Carbon Steel | "Zinc plate, gold chromate" | U | |
| Huck-Spin | Pin | DT | Carbon Steel/Carbon Boron Steel | Consult Huck | - | |
| Small Diameter Huck-Spin | Collar | R | Low Carbon Steel | Consult Huck | | |
| Small Diameter Huck-Spin | Pin | R | Low Carbon Steel | Consult Huck | | |
| Small Diameter Huck-Spin | Pin | DT | Carbon Steel/Carbon Boron Steel | Consult Huck | | |
| Hucktainer Plus | Collar | R | Low Carbon Steel | "Zinc plate, gold chromate" | U | |
| Hucktainer Plus | Pin | R | Low Carbon Steel | "Zinc plate, clear chromate" | G | |
| Magna-Bulb | Pin | R | Medium Carbon Steel | "Zinc plate, gold chromate" | | |
| Magna-Bulb | Sleeve | R | Low Carbon Steel | "Zinc plate, gold chromate" | | |
| Magna-Grip | Collar | F | 7075-T6 Aluminium Alloy | | - | Yes |
| Magna-Grip | Collar | R | Low Carbon Steel | "Zinc plate, clear chromate" | G | Yes |
| Magna-Grip | Pin | E | 6061 Aluminium Alloy | | - | |
| Magna-Grip | Pin | R | Carbon Steel | "Zinc plate, clear chromate" | G | |
| Magna-Lok | Pin | B | 7075 Aluminium Alloy | Gold chromate | | |
| Magna-Lok | Pin | R | Medium Carbon Steel | "Zinc plate, gold chromate" | | |
| Magna-Lok | Pin | U | Stainless Steel | Pasivated | | |
| Magna-Lok | Sleeve | B | 5056 Aluminium Alloy | Clear chromate | | |
| Magna-Lok | Sleeve | R | Low Carbon Steel | "Zinc plate, clear chromate" | | |
| Magna-Lok | Sleeve | U | Stainless Steel | Pasivated | | |
| Magna-Tite | Pin | B | Aluminum Alloy | Consult Huck | | |
| Magna-Tite | Sleeve | B | Aluminum Alloy | Consult Huck | | |

HUCK® INTERACTIVE CD ROM : NOSE ASSEMBLIES

HUCKLOK



HUCK® INTERACTIVE CD ROM : TOOLING MATRIX

HUCKLOK

| Dia. | Nose Assembly Options | | Nose Assembly Dimensions | | | Pneumatic Tool Options | | | | |
|---|-----------------------|-----------|--------------------------|-------|------|------------------------|--------|-----------|--------|-------|
| | FOCUS | Non-FOCUS | ø | | | FOCUS | | Non-FOCUS | | |
| | 1 | 2 | Fig. | A mm | B mm | 1 | 2 | 3 | 4 | 5 |
| 8 | | 99-3301 | 1 | 49.5 | 19.1 | LH-224 | | 2025 | 2025B | 2025V |
| | 99-3305 | | 1 | 57.5 | 19.1 | 202V | LH-224 | 2025 | 2025B | 2025V |
| | 99-3305L | | 1 | 57.5 | 19.1 | 2025LB | | 2025L | 2025LV | |
| | | 99-3306 | 1 | 158.5 | 19.1 | LH-224 | | 2025 | 2025B | 2025V |
| Nose Assembly integral with Tool. Refer to 241E Tool page for dimensions. | | | | | | 241E | | | | |

| Dia. | Nose Assembly Options | | Nose Assembly Dimensions | | | Hydraulic Tool Options | | | | Powerig Options | | Hose Set Options | | | | | |
|------|-----------------------|-----------|--------------------------|-------|------|------------------------|---|-----------|---|-----------------|---------------|------------------|--------------|---------------|----------------------------------|---|-----------|
| | FOCUS | Non-FOCUS | ø | | | FOCUS | | Non-FOCUS | | FOCUS | | Non-FOCUS | | | FOCUS | | Non-FOCUS |
| | 1 | 2 | Fig. | A mm | B mm | 1 | 2 | 3 | 4 | 1 | 2 | 3 | 4 | 5 | 1 | 2 | |
| 8 | | 99-3301 | 1 | 49.5 | 19.1 | | | 2480 | | HK432-2 Series | HK3413 Series | HP74 Series | HP116 Series | HK4245 Series | HS - 10 - MCE (Length 10 Metres) | * | |
| | 99-3305 | | 1 | 57.5 | 19.1 | | | 2480 | | HK432-2 Series | HK3413 Series | HP74 Series | HP116 Series | HK4245 Series | HS - 10 - MCE (Length 10 Metres) | * | |
| | 99-3305L | | 1 | 57.5 | 19.1 | 2480L | | | | HK432-2 Series | HK3413 Series | HP74 Series | HP116 Series | HK4245 Series | HS - 10 - MCE (Length 10 Metres) | * | |
| | | 99-3306 | 1 | 158.5 | 19.1 | | | 2480 | | HK432-2 Series | HK3413 Series | HP74 Series | HP116 Series | HK4245 Series | HS - 10 - MCE (Length 10 Metres) | * | |

*Contact Huck for availability of other Hose Set lengths.