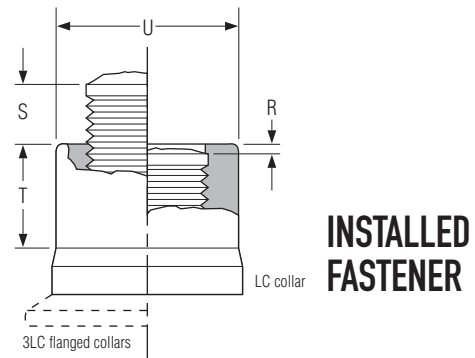
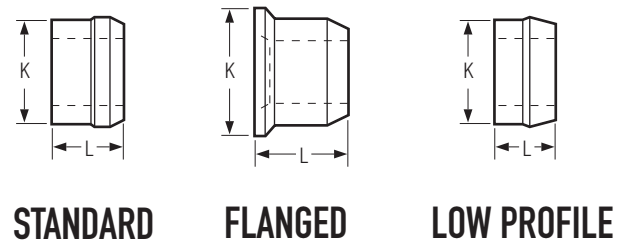
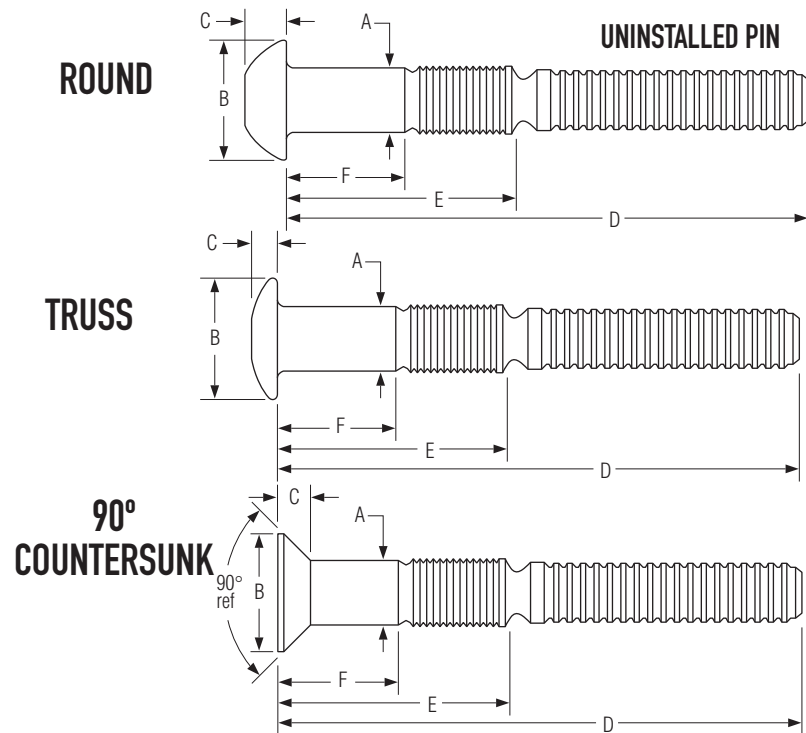


C50L



HUCK® INTERACTIVE CD ROM : DIMENSIONS

C50L

Family	Headstyle	Material	Diameter	Grip	Part Number	A Nominal Dia mm	Min Hole Size mm	Max Hole Size mm	Max B mm	Max C mm	Max E mm	Max D mm	Nominal F mm	Collar Type	Collar Type	Collar Type	Collar Type	Collar Type	Collar Type
														LC Min Grip mm	LC Max Grip mm	3LC Min Grip mm	3LC Max Grip mm	8LC Min Grip mm	8LC Max Grip mm
C50L	R	All Materials	16	4		12.7	13.1	14.3	24.0	8.4	31.5	85.6	4.8	6.4	12.7	3.2	9.5	6.4	16.3
C50L	R	All Materials	16	8		12.7	13.1	14.3	24.0	8.4	37.8	92.0	11.1	12.7	19.1	9.5	15.9	12.7	22.6
C50L	R	All Materials	16	12		12.7	13.1	14.3	24.0	8.4	44.2	98.3	17.5	19.1	25.4	15.9	22.2	19.1	29.0
C50L	R	All Materials	16	16		12.7	13.1	14.3	24.0	8.4	50.5	104.7	23.8	25.4	31.8	22.2	28.6	25.4	35.3
C50L	R	All Materials	16	20		12.7	13.1	14.3	24.0	8.4	56.9	111.0	30.2	31.8	38.1	28.6	34.9	31.8	41.7
C50L	R	All Materials	16	24		12.7	13.1	14.3	24.0	8.4	63.2	117.4	36.5	38.1	44.5	34.9	41.3	38.1	48.0
C50L	R	All Materials	16	28		12.7	13.1	14.3	24.0	8.4	69.6	123.7	42.9	44.5	50.8	41.3	47.6	44.5	54.4
C50L	R	All Materials	16	32		12.7	13.1	14.3	24.0	8.4	75.9	130.1	49.2	50.8	57.2	47.6	54.0	50.8	60.7
C50L	R	All Materials	16	36		12.7	13.1	14.3	24.0	8.4	82.3	136.4	55.6	57.2	63.5	54.0	60.3	57.2	67.1
C50L	R	All Materials	16	40		12.7	13.1	14.3	24.0	8.4	88.6	142.8	61.9	63.5	69.9	60.3	66.7	63.5	73.4
C50L	R	All Materials	16	44		12.7	13.1	14.3	24.0	8.4	95.0	149.1	68.3	69.9	76.2	66.7	73.0	69.9	79.8
C50L	R	All Materials	16	48		12.7	13.1	14.3	24.0	8.4	101.3	155.5	74.6	76.2	82.6	73.0	79.4	76.2	86.1
C50L	R	All Materials	16	52		12.7	13.1	14.3	24.0	8.4	107.7	161.8	81.0	82.6	88.9	79.4	85.7	82.6	92.5
C50L	R	All Materials	16	56		12.7	13.1	14.3	24.0	8.4	114.0	168.2	87.3	88.9	95.3	85.7	92.1	88.9	98.8
C50L	R	All Materials	16	60		12.7	13.1	14.3	24.0	8.4	120.4	174.5	93.7	95.3	101.6	92.1	98.4	95.3	105.2
C50L	R	All Materials	16	64		12.7	13.1	14.3	24.0	8.4	126.7	180.9	100.0	101.6	108.0	98.4	104.8	101.6	111.5
C50L	R	All Materials	16	68		12.7	13.1	14.3	24.0	8.4	133.1	187.2	106.4	108.0	114.3	104.8	111.1	108.0	117.9
C50L	R	All Materials	16	72		12.7	13.1	14.3	24.0	8.4	139.4	193.6	112.7	114.3	120.7	111.1	117.5	114.3	124.2
C50L	R	All Materials	16	76		12.7	13.1	14.3	24.0	8.4	145.8	199.9	119.1	120.7	127.0	117.5	123.8	120.7	130.6
C50L	R	All Materials	16	80		12.7	13.1	14.3	24.0	8.4	152.1	206.3	125.4	127.0	133.4	123.8	130.2	127.0	136.9
C50L	R	All Materials	16	84		12.7	13.1	14.3	24.0	8.4	158.5	212.6	131.8	133.4	139.7	130.2	136.5	133.4	143.3
C50L	R	All Materials	16	88		12.7	13.1	14.3	24.0	8.4	164.8	219.0	138.1	139.7	146.1	136.5	142.9	139.7	149.6
C50L	R	All Materials	16	92		12.7	13.1	14.3	24.0	8.4	171.2	225.3	144.5	146.1	152.4	142.9	149.2	146.1	156.0
C50L	R	All Materials	20	4		15.9	16.3	17.5	30.3	10.6	37.0	97.9	4.8	6.4	12.7	2.4	8.7	6.4	17.2
C50L	R	All Materials	20	8		15.9	16.3	17.5	30.3	10.6	43.4	104.2	11.1	12.7	19.1	8.7	15.1	12.7	23.5
C50L	R	All Materials	20	12		15.9	16.3	17.5	30.3	10.6	49.7	110.6	17.5	19.1	25.4	15.1	21.4	19.1	29.9
C50L	R	All Materials	20	16		15.9	16.3	17.5	30.3	10.6	56.1	116.9	23.8	25.4	31.8	21.4	27.8	25.4	36.2
C50L	R	All Materials	20	20		15.9	16.3	17.5	30.3	10.6	62.4	123.3	30.2	31.8	38.1	27.8	34.1	31.8	42.6
C50L	R	All Materials	20	24		15.9	16.3	17.5	30.3	10.6	68.8	129.6	36.5	38.1	44.5	34.1	40.5	38.1	48.9
C50L	R	All Materials	20	28		15.9	16.3	17.5	30.3	10.6	75.1	136.0	42.9	44.5	50.8	40.5	46.8	44.5	55.3
C50L	R	All Materials	20	32		15.9	16.3	17.5	30.3	10.6	81.5	142.3	49.2	50.8	57.2	46.8	53.2	50.8	61.6
C50L	R	All Materials	20	36		15.9	16.3	17.5	30.3	10.6	87.8	148.7	55.6	57.2	63.5	53.2	59.5	57.2	68.0
C50L	R	All Materials	20	40		15.9	16.3	17.5	30.3	10.6	94.2	155.0	61.9	63.5	69.9	59.5	65.9	63.5	74.3
C50L	R	All Materials	20	44		15.9	16.3	17.5	30.3	10.6	100.5	161.4	68.3	69.9	76.2	65.9	72.2	69.9	80.7
C50L	R	All Materials	20	48		15.9	16.3	17.5	30.3	10.6	106.9	167.7	74.6	76.2	82.6	72.2	78.6	76.2	87.0
C50L	R	All Materials	20	52		15.9	16.3	17.5	30.3	10.6	113.2	174.1	81.0	82.6	88.9	78.6	84.9	82.6	93.4
C50L	R	All Materials	20	56		15.9	16.3	17.5	30.3	10.6	119.6	180.4	87.3	88.9	95.3	84.9	91.3	88.9	99.7
C50L	R	All Materials	20	60		15.9	16.3	17.5	30.3	10.6	125.9	186.8	93.7	95.3	101.6	91.3	97.6	95.3	106.1
C50L	R	All Materials	20	64		15.9	16.3	17.5	30.3	10.6	132.3	193.1	100.0	101.6	108.0	97.6	104.0	101.6	112.4
C50L	R	All Materials	20	68		15.9	16.3	17.5	30.3	10.6	138.6	199.5	106.4	108.0	114.3	104.0	110.3	108.0	118.8
C50L	R	All Materials	20	72		15.9	16.3	17.5	30.3	10.6	145.0	205.8	112.7	114.3	120.7	110.3	116.7	114.3	125.1
C50L	R	All Materials	20	76		15.9	16.3	17.5	30.3	10.6	151.3	212.2	119.1	120.7	127.0	116.7	123.0	120.7	131.5
C50L	R	All Materials	20	80		15.9	16.3	17.5	30.3	10.6	157.7	218.5	125.4	127.0	133.4	123.0	129.4	127.0	137.8
C50L	R	All Materials	20	84		15.9	16.3	17.5	30.3	10.6	164.0	224.9	131.8	133.4	139.7	129.4	135.7	133.4	144.2
C50L	R	All Materials	20	88		15.9	16.3	17.5	30.3	10.6	170.4	231.2	138.1	139.7	146.1	135.7	142.1	139.7	150.5
C50L	R	All Materials	20	92		15.9	16.3	17.5	30.3	10.6	176.7	237.6	144.5	146.1	152.4	142.1	148.4	146.1	156.9
C50L	R	All Materials	24	4		19.1	19.5	20.7	36.7	13.3	39.2	110.6	4.8	6.4	12.7	1.6	8.0	6.4	18.2
C50L	R	All Materials	24	8		19.1	19.5	20.7	36.7	13.3	45.5	116.9	11.1	12.7	19.1	8.0	14.3	12.7	24.5
C50L	R	All Materials	24	12		19.1	19.5	20.7	36.7	13.3	51.9	123.3	17.5	19.1	25.4	14.3	20.7	19.1	30.9
C50L	R	All Materials	24	16		19.1	19.5	20.7	36.7	13.3	58.2	129.6	23.8	25.4	31.8	20.7	27.0	25.4	37.2

HUCK® INTERACTIVE CD ROM : DIMENSIONS (CONTINUED)

C50L

Family	Headstyle	Material	Diameter	Grip	Part Number	A Nominal Dia mm	Min Hole Size mm	Max Hole Size mm	Max B mm	Max C mm	Max E mm	Max D mm	Nominal F mm	Collar Type	Collar Type	Collar Type	Collar Type	Collar Type	Collar Type
														LC Min Grip mm	LC Max Grip mm	3LC Min Grip mm	3LC Max Grip mm	8LC Min Grip mm	8LC Max Grip mm
C50L	R	All Materials	24	20		19.1	19.5	20.7	36.7	13.3	64.6	136.0	30.2	31.8	38.1	27.0	33.4	31.8	43.6
C50L	R	All Materials	24	24		19.1	19.5	20.7	36.7	13.3	70.9	142.3	36.5	38.1	44.5	33.4	39.7	38.1	49.9
C50L	R	All Materials	24	28		19.1	19.5	20.7	36.7	13.3	77.3	148.7	42.9	44.5	50.8	39.7	46.1	44.5	56.3
C50L	R	All Materials	24	32		19.1	19.5	20.7	36.7	13.3	83.6	155.0	49.2	50.8	57.2	46.1	52.4	50.8	62.6
C50L	R	All Materials	24	36		19.1	19.5	20.7	36.7	13.3	90.0	161.4	55.6	57.2	63.5	52.4	58.8	57.2	69.0
C50L	R	All Materials	24	40		19.1	19.5	20.7	36.7	13.3	96.3	167.7	61.9	63.5	69.9	58.8	65.1	63.5	75.3
C50L	R	All Materials	24	44		19.1	19.5	20.7	36.7	13.3	102.7	174.1	68.3	69.9	76.2	65.1	71.5	69.9	81.7
C50L	R	All Materials	24	48		19.1	19.5	20.7	36.7	13.3	109.0	180.4	74.6	76.2	82.6	71.5	77.8	76.2	88.0
C50L	R	All Materials	24	52		19.1	19.5	20.7	36.7	13.3	115.4	186.8	81.0	82.6	88.9	77.8	84.2	82.6	94.4
C50L	R	All Materials	24	56		19.1	19.5	20.7	36.7	13.3	121.7	193.1	87.3	88.9	95.3	84.2	90.5	88.9	100.7
C50L	R	All Materials	24	60		19.1	19.5	20.7	36.7	13.3	128.1	199.5	93.7	95.3	101.6	90.5	96.9	95.3	107.1
C50L	R	All Materials	24	64		19.1	19.5	20.7	36.7	13.3	134.4	205.8	100.0	101.6	108.0	96.9	103.2	101.6	113.4
C50L	R	All Materials	24	68		19.1	19.5	20.7	36.7	13.3	140.8	212.2	106.4	108.0	114.3	103.2	109.6	108.0	119.8
C50L	R	All Materials	24	72		19.1	19.5	20.7	36.7	13.3	147.1	218.5	112.7	114.3	120.7	109.6	115.9	114.3	126.1
C50L	R	All Materials	24	76		19.1	19.5	20.7	36.7	13.3	153.5	224.9	119.1	120.7	127.0	115.9	122.3	120.7	132.5
C50L	R	All Materials	24	80		19.1	19.5	20.7	36.7	13.3	159.8	231.2	125.4	127.0	133.4	122.3	128.6	127.0	138.8
C50L	R	All Materials	24	84		19.1	19.5	20.7	36.7	13.3	166.2	237.6	131.8	133.4	139.7	128.6	135.0	133.4	145.2
C50L	R	All Materials	24	88		19.1	19.5	20.7	36.7	13.3	172.5	243.9	138.1	139.7	146.1	135.0	141.3	139.7	151.5
C50L	R	All Materials	24	92		19.1	19.5	20.7	36.7	13.3	178.9	250.3	144.5	146.1	152.4	141.3	147.7	146.1	157.9
C50L	R	BR	28	8	C50LR-BR28-8	22.2	22.8	23.8	42.2	14.7	49.4	124.1	11.1	12.7	19.1	7.2	13.5	12.7	25.4
C50L	R	BR	28	12	C50LR-BR28-12	22.2	22.8	23.8	42.2	14.7	55.8	130.5	17.5	19.1	25.4	13.5	19.9	19.1	31.8
C50L	R	BR	28	16	C50LR-BR28-16	22.2	22.8	23.8	42.2	14.7	62.1	136.8	23.8	25.4	31.8	19.9	26.2	25.4	38.1
C50L	R	BR	28	20	C50LR-BR28-20	22.2	22.8	23.8	42.2	14.7	68.5	143.2	30.2	31.8	38.1	26.2	32.6	31.8	44.5
C50L	R	BR	28	24	C50LR-BR28-24	22.2	22.8	23.8	42.2	14.7	74.8	149.5	36.5	38.1	44.5	32.6	38.9	38.1	50.8
C50L	R	BR	28	28	C50LR-BR28-28	22.2	22.8	23.8	42.2	14.7	81.2	155.9	42.9	44.5	50.8	38.9	45.3	44.5	57.2
C50L	R	BR	28	32	C50LR-BR28-32	22.2	22.8	23.8	42.2	14.7	87.5	162.2	49.2	50.8	57.2	45.3	51.6	50.8	63.5
C50L	R	BR	28	36	C50LR-BR28-36	22.2	22.8	23.8	42.2	14.7	93.9	168.6	55.6	57.2	63.5	51.6	58.0	57.2	69.9
C50L	R	BR	28	40	C50LR-BR28-40	22.2	22.8	23.8	42.2	14.7	100.2	174.9	61.9	63.5	69.9	58.0	64.3	63.5	76.2
C50L	R	BR	28	44	C50LR-BR28-44	22.2	22.8	23.8	42.2	14.7	106.6	181.3	68.3	69.9	76.2	64.3	70.7	69.9	82.6
C50L	R	BR	28	48	C50LR-BR28-48	22.2	22.8	23.8	42.2	14.7	112.9	187.6	74.6	76.2	82.6	70.7	77.0	76.2	88.9
C50L	R	BR	28	52	C50LR-BR28-52	22.2	22.8	23.8	42.2	14.7	119.3	194.0	81.0	82.6	88.9	77.0	83.4	82.6	95.3
C50L	R	BR	28	56	C50LR-BR28-56	22.2	22.8	23.8	42.2	14.7	125.6	200.3	87.3	88.9	95.3	83.4	89.7	88.9	101.6
C50L	R	BR	28	60	C50LR-BR28-60	22.2	22.8	23.8	42.2	14.7	132.0	206.7	93.7	95.3	101.6	89.7	96.1	95.3	108.0
C50L	R	BR	28	64	C50LR-BR28-64	22.2	22.8	23.8	42.2	14.7	138.3	213.0	100.0	101.6	108.0	96.1	102.4	101.6	114.3
C50L	R	BR	28	68	C50LR-BR28-68	22.2	22.8	23.8	42.2	14.7	144.7	219.4	106.4	108.0	114.3	102.4	108.8	108.0	120.7
C50L	R	BR	28	72	C50LR-BR28-72	22.2	22.8	23.8	42.2	14.7	151.0	225.7	112.7	114.3	120.7	108.8	115.1	114.3	127.0
C50L	R	BR	28	76	C50LR-BR28-76	22.2	22.8	23.8	42.2	14.7	157.4	232.1	119.1	120.7	127.0	115.1	121.5	120.7	133.4
C50L	R	BR	28	80	C50LR-BR28-80	22.2	22.8	23.8	42.2	14.7	163.7	238.4	125.4	127.0	133.4	121.5	127.8	127.0	139.7
C50L	R	BR	28	84	C50LR-BR28-84	22.2	22.8	23.8	42.2	14.7	170.1	244.8	131.8	133.4	139.7	127.8	134.2	133.4	146.1
C50L	R	BR	28	88	C50LR-BR28-88	22.2	22.8	23.8	42.2	14.7	176.4	251.1	138.1	139.7	146.1	134.2	140.5	139.7	152.4
C50L	R	BR	28	92	C50LR-BR28-92	22.2	22.8	23.8	42.2	14.7	182.8	257.5	144.5	146.1	152.4	140.5	146.9	146.1	158.8
C50L	R	BR	32	8	C50LR-BR32-8	25.4	26.0	27.0	48.5	16.3	53.3	141.6	11.1	12.7	19.1	6.4	12.7	12.7	26.4
C50L	R	BR	32	12	C50LR-BR32-12	25.4	26.0	27.0	48.5	16.3	59.6	147.9	17.5	19.1	25.4	12.7	19.1	19.1	32.7
C50L	R	BR	32	16	C50LR-BR32-16	25.4	26.0	27.0	48.5	16.3	66.0	154.3	23.8	25.4	31.8	19.1	25.4	25.4	39.1
C50L	R	BR	32	20	C50LR-BR32-20	25.4	26.0	27.0	48.5	16.3	72.3	160.6	30.2	31.8	38.1	25.4	31.8	31.8	45.4
C50L	R	BR	32	24	C50LR-BR32-24	25.4	26.0	27.0	48.5	16.3	78.7	167.0	36.5	38.1	44.5	31.8	38.1	38.1	51.8
C50L	R	BR	32	28	C50LR-BR32-28	25.4	26.0	27.0	48.5	16.3	85.0	173.3	42.9	44.5	50.8	38.1	44.5	44.5	58.1
C50L	R	BR	32	32	C50LR-BR32-32	25.4	26.0	27.0	48.5	16.3	91.4	179.7	49.2	50.8	57.2	44.5	50.8	50.8	64.5
C50L	R	BR	32	36	C50LR-BR32-36	25.4	26.0	27.0	48.5	16.3	97.7	186.0	55.6	57.2	63.5	50.8	57.2	57.2	70.8
C50L	R	BR	32	40	C50LR-BR32-40	25.4	26.0	27.0	48.5	16.3	104.1	192.4	61.9	63.5	69.9	57.2	63.5	63.5	77.2

HUCK® INTERACTIVE CD ROM : DIMENSIONS (CONTINUED)

C50L

Family	Headstyle	Material	Diameter	Grip	Part Number	A Nominal Dia mm	Min Hole Size mm	Max Hole Size mm	Max B mm	Max C mm	Max E mm	Max D mm	Nominal F mm	Collar Type	Collar Type	Collar Type	Collar Type	Collar Type	Collar Type
														LC Min Grip mm	LC Max Grip mm	3LC Min Grip mm	3LC Max Grip mm	8LC Min Grip mm	8LC Max Grip mm
C50L	R	BR	32	44	C50LR-BR32-44	25.4	26.0	27.0	48.5	16.3	110.4	198.7	68.3	69.9	76.2	63.5	69.9	69.9	83.5
C50L	R	BR	32	48	C50LR-BR32-48	25.4	26.0	27.0	48.5	16.3	116.8	205.1	74.6	76.2	82.6	69.9	76.2	76.2	89.9
C50L	R	BR	32	52	C50LR-BR32-52	25.4	26.0	27.0	48.5	16.3	123.1	211.4	81.0	82.6	88.9	76.2	82.6	82.6	96.2
C50L	R	BR	32	56	C50LR-BR32-56	25.4	26.0	27.0	48.5	16.3	129.5	217.8	87.3	88.9	95.3	82.6	88.9	88.9	102.6
C50L	R	BR	32	60	C50LR-BR32-60	25.4	26.0	27.0	48.5	16.3	135.8	224.1	93.7	95.3	101.6	88.9	95.3	95.3	108.9
C50L	R	BR	32	64	C50LR-BR32-64	25.4	26.0	27.0	48.5	16.3	142.2	230.5	100.0	101.6	108.0	95.3	101.6	101.6	115.3
C50L	R	BR	32	68	C50LR-BR32-68	25.4	26.0	27.0	48.5	16.3	148.5	236.8	106.4	108.0	114.3	101.6	108.0	108.0	121.6
C50L	R	BR	32	72	C50LR-BR32-72	25.4	26.0	27.0	48.5	16.3	154.9	243.2	112.7	114.3	120.7	108.0	114.3	114.3	128.0
C50L	R	BR	32	76	C50LR-BR32-76	25.4	26.0	27.0	48.5	16.3	161.2	249.5	119.1	120.7	127.0	114.3	120.7	120.7	134.3
C50L	R	BR	32	80	C50LR-BR32-80	25.4	26.0	27.0	48.5	16.3	167.6	255.9	125.4	127.0	133.4	120.7	127.0	127.0	140.7
C50L	R	BR	32	84	C50LR-BR32-84	25.4	26.0	27.0	48.5	16.3	173.9	262.2	131.8	133.4	139.7	127.0	133.4	133.4	147.0
C50L	R	BR	32	88	C50LR-BR32-88	25.4	26.0	27.0	48.5	16.3	180.3	268.6	138.1	139.7	146.1	133.4	139.7	139.7	153.4
C50L	R	BR	32	92	C50LR-BR32-92	25.4	26.0	27.0	48.5	16.3	186.6	274.9	144.5	146.1	152.4	139.7	146.1	146.1	159.7
C50L	R	BR	36	28	C50LR-BR36-28	28.6	28.5	30.2	54.1	18.3	89.5	178.1	40.8	44.5	50.8	0.0	0.0	0.0	0.0
C50L	R	BR	36	32	C50LR-BR36-32	28.6	28.5	30.2	54.1	18.3	95.9	184.4	47.2	50.8	57.2	0.0	0.0	0.0	0.0
C50L	R	BR	36	36	C50LR-BR36-36	28.6	28.5	30.2	54.1	18.3	102.2	190.8	53.5	57.2	63.5	0.0	0.0	0.0	0.0
C50L	R	BR	36	40	C50LR-BR36-40	28.6	28.5	30.2	54.1	18.3	108.6	197.1	59.9	63.5	69.9	0.0	0.0	0.0	0.0
C50L	R	BR	36	44	C50LR-BR36-44	28.6	28.5	30.2	54.1	18.3	114.9	203.5	66.2	69.9	76.2	0.0	0.0	0.0	0.0
C50L	R	BR	36	48	C50LR-BR36-48	28.6	28.5	30.2	54.1	18.3	121.3	209.8	72.6	76.2	82.6	0.0	0.0	0.0	0.0
C50L	R	BR	36	52	C50LR-BR36-52	28.6	28.5	30.2	54.1	18.3	127.6	216.2	78.9	82.6	88.9	0.0	0.0	0.0	0.0
C50L	R	BR	36	56	C50LR-BR36-56	28.6	28.5	30.2	54.1	18.3	134.0	222.5	85.3	88.9	95.3	0.0	0.0	0.0	0.0
C50L	R	BR	36	60	C50LR-BR36-60	28.6	28.5	30.2	54.1	18.3	140.3	228.9	91.6	95.3	101.6	0.0	0.0	0.0	0.0
C50L	R	BR	36	64	C50LR-BR36-64	28.6	28.5	30.2	54.1	18.3	146.7	235.2	98.0	101.6	108.0	0.0	0.0	0.0	0.0
C50L	R	BR	36	68	C50LR-BR36-68	28.6	28.5	30.2	54.1	18.3	153.0	241.6	104.3	108.0	114.3	0.0	0.0	0.0	0.0
C50L	R	BR	36	72	C50LR-BR36-72	28.6	28.5	30.2	54.1	18.3	159.4	247.9	110.7	114.3	120.7	0.0	0.0	0.0	0.0
C50L	R	BR	36	76	C50LR-BR36-76	28.6	28.5	30.2	54.1	18.3	165.7	254.3	117.0	120.7	127.0	0.0	0.0	0.0	0.0
C50L	R	BR	36	80	C50LR-BR36-80	28.6	28.5	30.2	54.1	18.3	172.1	260.6	123.4	127.0	133.4	0.0	0.0	0.0	0.0
C50L	R	BR	36	84	C50LR-BR36-84	28.6	28.5	30.2	54.1	18.3	178.4	267.0	129.7	133.4	139.7	0.0	0.0	0.0	0.0
C50L	R	BR	36	88	C50LR-BR36-88	28.6	28.5	30.2	54.1	18.3	184.8	273.3	136.1	139.7	146.1	0.0	0.0	0.0	0.0
C50L	R	BR	36	92	C50LR-BR36-92	28.6	28.5	30.2	54.1	18.3	191.1	279.7	142.4	146.1	152.4	0.0	0.0	0.0	0.0
C50L	90	All Materials	16	8		12.7	13.1	14.3	24.1	6.4	37.8	92.0	11.1	12.7	19.1	9.5	15.9	12.7	22.6
C50L	90	All Materials	16	12		12.7	13.1	14.3	24.1	6.4	44.2	98.3	17.5	19.1	25.4	15.9	22.2	19.1	29.0
C50L	90	All Materials	16	16		12.7	13.1	14.3	24.1	6.4	50.5	104.7	23.8	25.4	31.8	22.2	28.6	25.4	35.3
C50L	90	All Materials	16	20		12.7	13.1	14.3	24.1	6.4	56.9	111.0	30.2	31.8	38.1	28.6	34.9	31.8	41.7
C50L	90	All Materials	16	24		12.7	13.1	14.3	24.1	6.4	63.2	117.4	36.5	38.1	44.5	34.9	41.3	38.1	48.0
C50L	90	All Materials	16	28		12.7	13.1	14.3	24.1	6.4	69.6	123.7	42.9	44.5	50.8	41.3	47.6	44.5	54.4
C50L	90	All Materials	16	32		12.7	13.1	14.3	24.1	6.4	75.9	130.1	49.2	50.8	57.2	47.6	54.0	50.8	60.7
C50L	90	All Materials	16	36		12.7	13.1	14.3	24.1	6.4	82.3	136.4	55.6	57.2	63.5	54.0	60.3	57.2	67.1
C50L	90	All Materials	16	40		12.7	13.1	14.3	24.1	6.4	88.6	142.8	61.9	63.5	69.9	60.3	66.7	63.5	73.4
C50L	90	All Materials	16	44		12.7	13.1	14.3	24.1	6.4	95.0	149.1	68.3	69.9	76.2	66.7	73.0	69.9	79.8
C50L	90	All Materials	16	48		12.7	13.1	14.3	24.1	6.4	101.3	155.5	74.6	76.2	82.6	73.0	79.4	76.2	86.1
C50L	90	All Materials	16	52		12.7	13.1	14.3	24.1	6.4	107.7	161.8	81.0	82.6	88.9	79.4	85.7	82.6	92.5
C50L	90	All Materials	16	56		12.7	13.1	14.3	24.1	6.4	114.0	168.2	87.3	88.9	95.3	85.7	92.1	88.9	98.8
C50L	90	All Materials	16	60		12.7	13.1	14.3	24.1	6.4	120.4	174.5	93.7	95.3	101.6	92.1	98.4	95.3	105.2
C50L	90	All Materials	16	64		12.7	13.1	14.3	24.1	6.4	126.7	180.9	100.0	101.6	108.0	98.4	104.8	101.6	111.5
C50L	90	All Materials	20	8		15.9	16.3	17.5	30.2	8.0	43.4	104.2	11.1	12.7	19.1	8.7	15.1	12.7	23.5
C50L	90	All Materials	20	12		15.9	16.3	17.5	30.2	8.0	49.7	110.6	17.5	19.1	25.4	15.1	21.4	19.1	29.9
C50L	90	All Materials	20	16		15.9	16.3	17.5	30.2	8.0	56.1	116.9	23.8	25.4	31.8	21.4	27.8	25.4	36.2
C50L	90	All Materials	20	20		15.9	16.3	17.5	30.2	8.0	62.4	123.3	30.2	31.8	38.1	27.8	34.1	31.8	42.6
C50L	90	All Materials	20	24		15.9	16.3	17.5	30.2	8.0	68.8	129.6	36.5	38.1	44.5	34.1	40.5	38.1	48.9

HUCK® INTERACTIVE CD ROM : DIMENSIONS (CONTINUED)

C50L

Family	Headstyle	Material	Diameter	Grip	Part Number	A Nominal Dia mm	Min Hole Size mm	Max Hole Size mm	Max B mm	Max C mm	Max E mm	Max D mm	Nominal F mm	Collar Type	Collar Type	Collar Type	Collar Type	Collar Type	Collar Type
														LC Min Grip mm	LC Max Grip mm	3LC Min Grip mm	3LC Max Grip mm	8LC Min Grip mm	8LC Max Grip mm
C50L	90	All Materials	20	28		15.9	16.3	17.5	30.2	8.0	75.1	136.0	42.9	44.5	50.8	40.5	46.8	44.5	55.3
C50L	90	All Materials	20	32		15.9	16.3	17.5	30.2	8.0	81.5	142.3	49.2	50.8	57.2	46.8	53.2	50.8	61.6
C50L	90	All Materials	20	36		15.9	16.3	17.5	30.2	8.0	87.8	148.7	55.6	57.2	63.5	53.2	59.5	57.2	68.0
C50L	90	All Materials	20	40		15.9	16.3	17.5	30.2	8.0	94.2	155.0	61.9	63.5	69.9	59.5	65.9	63.5	74.3
C50L	90	All Materials	20	44		15.9	16.3	17.5	30.2	8.0	100.5	161.4	68.3	69.9	76.2	65.9	72.2	69.9	80.7
C50L	90	All Materials	20	48		15.9	16.3	17.5	30.2	8.0	106.9	167.7	74.6	76.2	82.6	72.2	78.6	76.2	87.0
C50L	90	All Materials	20	52		15.9	16.3	17.5	30.2	8.0	113.2	174.1	81.0	82.6	88.9	78.6	84.9	82.6	93.4
C50L	90	All Materials	20	56		15.9	16.3	17.5	30.2	8.0	119.6	180.4	87.3	88.9	95.3	84.9	91.3	88.9	99.7
C50L	90	All Materials	20	60		15.9	16.3	17.5	30.2	8.0	125.9	186.8	93.7	95.3	101.6	91.3	97.6	95.3	106.1
C50L	90	All Materials	20	64		15.9	16.3	17.5	30.2	8.0	132.3	193.1	100.0	101.6	108.0	97.6	104.0	101.6	112.4
C50L	90	All Materials	24	12		19.1	19.5	20.7	36.1	9.6	51.9	123.3	17.5	19.1	25.4	14.3	20.7	19.1	30.9
C50L	90	All Materials	24	16		19.1	19.5	20.7	36.1	9.6	58.2	129.6	23.8	25.4	31.8	20.7	27.0	25.4	37.2
C50L	90	All Materials	24	20		19.1	19.5	20.7	36.1	9.6	64.6	136.0	30.2	31.8	38.1	27.0	33.4	31.8	43.6
C50L	90	All Materials	24	24		19.1	19.5	20.7	36.1	9.6	70.9	142.3	36.5	38.1	44.5	33.4	39.7	38.1	49.9
C50L	90	All Materials	24	28		19.1	19.5	20.7	36.1	9.6	77.3	148.7	42.9	44.5	50.8	39.7	46.1	44.5	56.3
C50L	90	All Materials	24	32		19.1	19.5	20.7	36.1	9.6	83.6	155.0	49.2	50.8	57.2	46.1	52.4	50.8	62.6
C50L	90	All Materials	24	36		19.1	19.5	20.7	36.1	9.6	90.0	161.4	55.6	57.2	63.5	52.4	58.8	57.2	69.0
C50L	90	All Materials	24	40		19.1	19.5	20.7	36.1	9.6	96.3	167.7	61.9	63.5	69.9	58.8	65.1	63.5	75.3
C50L	90	All Materials	24	44		19.1	19.5	20.7	36.1	9.6	102.7	174.1	68.3	69.9	76.2	65.1	71.5	69.9	81.7
C50L	90	All Materials	24	48		19.1	19.5	20.7	36.1	9.6	109.0	180.4	74.6	76.2	82.6	71.5	77.8	76.2	88.0
C50L	90	All Materials	24	52		19.1	19.5	20.7	36.1	9.6	115.4	186.8	81.0	82.6	88.9	77.8	84.2	82.6	94.4
C50L	90	All Materials	24	56		19.1	19.5	20.7	36.1	9.6	121.7	193.1	87.3	88.9	95.3	84.2	90.5	88.9	100.7
C50L	90	All Materials	24	60		19.1	19.5	20.7	36.1	9.6	128.1	199.5	93.7	95.3	101.6	90.5	96.9	95.3	107.1
C50L	90	All Materials	24	64		19.1	19.5	20.7	36.1	9.6	134.4	205.8	100.0	101.6	108.0	96.9	103.2	101.6	113.4
C50L	90	BR	28	12	C50L90-BR28-12	22.2	22.8	23.8	42.2	11.2	55.8	130.5	17.5	19.1	25.4	13.5	19.9	19.1	31.8
C50L	90	BR	28	16	C50L90-BR28-16	22.2	22.8	23.8	42.2	11.2	62.1	136.8	23.8	25.4	31.8	19.9	26.2	25.4	38.1
C50L	90	BR	28	20	C50L90-BR28-20	22.2	22.8	23.8	42.2	11.2	68.5	143.2	30.2	31.8	38.1	26.2	32.6	31.8	44.5
C50L	90	BR	28	24	C50L90-BR28-24	22.2	22.8	23.8	42.2	11.2	74.8	149.5	36.5	38.1	44.5	32.6	38.9	38.1	50.8
C50L	90	BR	28	28	C50L90-BR28-28	22.2	22.8	23.8	42.2	11.2	81.2	155.9	42.9	44.5	50.8	38.9	45.3	44.5	57.2
C50L	90	BR	28	32	C50L90-BR28-32	22.2	22.8	23.8	42.2	11.2	87.5	162.2	49.2	50.8	57.2	45.3	51.6	50.8	63.5
C50L	90	BR	28	36	C50L90-BR28-36	22.2	22.8	23.8	42.2	11.2	93.9	168.6	55.6	57.2	63.5	51.6	58.0	57.2	69.9
C50L	90	BR	28	40	C50L90-BR28-40	22.2	22.8	23.8	42.2	11.2	100.2	174.9	61.9	63.5	69.9	58.0	64.3	63.5	76.2
C50L	90	BR	28	44	C50L90-BR28-44	22.2	22.8	23.8	42.2	11.2	106.6	181.3	68.3	69.9	76.2	64.3	70.7	69.9	82.6
C50L	90	BR	28	48	C50L90-BR28-48	22.2	22.8	23.8	42.2	11.2	112.9	187.6	74.6	76.2	82.6	70.7	77.0	76.2	88.9
C50L	90	BR	28	52	C50L90-BR28-52	22.2	22.8	23.8	42.2	11.2	119.3	194.0	81.0	82.6	88.9	77.0	83.4	82.6	95.3
C50L	90	BR	28	56	C50L90-BR28-56	22.2	22.8	23.8	42.2	11.2	125.6	200.3	87.3	88.9	95.3	83.4	89.7	88.9	101.6
C50L	90	BR	28	60	C50L90-BR28-60	22.2	22.8	23.8	42.2	11.2	132.0	206.7	93.7	95.3	101.6	89.7	96.1	95.3	108.0
C50L	90	BR	28	64	C50L90-BR28-64	22.2	22.8	23.8	42.2	11.2	138.3	213.0	100.0	101.6	108.0	96.1	102.4	101.6	114.3
C50L	90	BR	32	16	C50L90-BR32-16	25.4	26.0	27.0	48.3	12.8	66.0	154.3	23.8	25.4	31.8	19.1	25.4	25.4	39.1
C50L	90	BR	32	20	C50L90-BR32-20	25.4	26.0	27.0	48.3	12.8	72.3	160.6	30.2	31.8	38.1	25.4	31.8	31.8	45.4
C50L	90	BR	32	24	C50L90-BR32-24	25.4	26.0	27.0	48.3	12.8	78.7	167.0	36.5	38.1	44.5	31.8	38.1	38.1	51.8
C50L	90	BR	32	28	C50L90-BR32-28	25.4	26.0	27.0	48.3	12.8	85.0	173.3	42.9	44.5	50.8	38.1	44.5	44.5	58.1
C50L	90	BR	32	32	C50L90-BR32-32	25.4	26.0	27.0	48.3	12.8	91.4	179.7	49.2	50.8	57.2	44.5	50.8	50.8	64.5
C50L	90	BR	32	36	C50L90-BR32-36	25.4	26.0	27.0	48.3	12.8	97.7	186.0	55.6	57.2	63.5	50.8	57.2	57.2	70.8
C50L	90	BR	32	40	C50L90-BR32-40	25.4	26.0	27.0	48.3	12.8	104.1	192.4	61.9	63.5	69.9	57.2	63.5	63.5	77.2
C50L	90	BR	32	44	C50L90-BR32-44	25.4	26.0	27.0	48.3	12.8	110.4	198.7	68.3	69.9	76.2	63.5	69.9	69.9	83.5
C50L	90	BR	32	48	C50L90-BR32-48	25.4	26.0	27.0	48.3	12.8	116.8	205.1	74.6	76.2	82.6	69.9	76.2	76.2	89.9
C50L	90	BR	32	52	C50L90-BR32-52	25.4	26.0	27.0	48.3	12.8	123.1	211.4	81.0	82.6	88.9	76.2	82.6	82.6	96.2
C50L	90	BR	32	56	C50L90-BR32-56	25.4	26.0	27.0	48.3	12.8	129.5	217.8	87.3	88.9	95.3	82.6	88.9	88.9	102.6
C50L	90	BR	32	60	C50L90-BR32-60	25.4	26.0	27.0	48.3	12.8	135.8	224.1	93.7	95.3	101.6	88.9	95.3	95.3	108.9

HUCK® INTERACTIVE CD ROM : DIMENSIONS (CONTINUED)

C50L

Family	Headstyle	Material	Diameter	Grip	Part Number	A Nominal Dia mm	Min Hole Size mm	Max Hole Size mm	Max B mm	Max C mm	Max E mm	Max D mm	Nominal F mm	Collar Type	Collar Type	Collar Type	Collar Type	Collar Type	Collar Type
														LC Min Grip mm	LC Max Grip mm	3LC Min Grip mm	3LC Max Grip mm	8LC Min Grip mm	8LC Max Grip mm
C50L	90	BR	32	64	C50L90-BR32-64	25.4	26.0	27.0	48.3	12.8	142.2	230.5	100.0	101.6	108.0	95.3	101.6	101.6	115.3
C50L	T	All Materials	16	4		12.7	13.1	14.3	24.0	6.4	31.5	85.6	4.8	6.4	12.7	3.2	9.5	6.4	16.3
C50L	T	All Materials	16	8		12.7	13.1	14.3	24.0	6.4	37.8	92.0	11.1	12.7	19.1	9.5	15.9	12.7	22.6
C50L	T	All Materials	16	12		12.7	13.1	14.3	24.0	6.4	44.2	98.3	17.5	19.1	25.4	15.9	22.2	19.1	29.0
C50L	T	All Materials	16	16		12.7	13.1	14.3	24.0	6.4	50.5	104.7	23.8	25.4	31.8	22.2	28.6	25.4	35.3
C50L	T	All Materials	16	20		12.7	13.1	14.3	24.0	6.4	56.9	111.0	30.2	31.8	38.1	28.6	34.9	31.8	41.7
C50L	T	All Materials	16	24		12.7	13.1	14.3	24.0	6.4	63.2	117.4	36.5	38.1	44.5	34.9	41.3	38.1	48.0
C50L	T	All Materials	16	28		12.7	13.1	14.3	24.0	6.4	69.6	123.7	42.9	44.5	50.8	41.3	47.6	44.5	54.4
C50L	T	All Materials	16	32		12.7	13.1	14.3	24.0	6.4	75.9	130.1	49.2	50.8	57.2	47.6	54.0	50.8	60.7
C50L	T	All Materials	16	36		12.7	13.1	14.3	24.0	6.4	82.3	136.4	55.6	57.2	63.5	54.0	60.3	57.2	67.1
C50L	T	All Materials	16	40		12.7	13.1	14.3	24.0	6.4	88.6	142.8	61.9	63.5	69.9	60.3	66.7	63.5	73.4
C50L	T	All Materials	16	44		12.7	13.1	14.3	24.0	6.4	95.0	149.1	68.3	69.9	76.2	66.7	73.0	69.9	79.8
C50L	T	All Materials	16	48		12.7	13.1	14.3	24.0	6.4	101.3	155.5	74.6	76.2	82.6	73.0	79.4	76.2	86.1
C50L	T	All Materials	16	52		12.7	13.1	14.3	24.0	6.4	107.7	161.8	81.0	82.6	88.9	79.4	85.7	82.6	92.5
C50L	T	All Materials	16	56		12.7	13.1	14.3	24.0	6.4	114.0	168.2	87.3	88.9	95.3	85.7	92.1	88.9	98.8
C50L	T	All Materials	16	60		12.7	13.1	14.3	24.0	6.4	120.4	174.5	93.7	95.3	101.6	92.1	98.4	95.3	105.2
C50L	T	All Materials	16	64		12.7	13.1	14.3	24.0	6.4	126.7	180.9	100.0	101.6	108.0	98.4	104.8	101.6	111.5
C50L	T	All Materials	16	68		12.7	13.1	14.3	24.0	6.4	133.1	187.2	106.4	108.0	114.3	104.8	111.1	108.0	117.9
C50L	T	All Materials	16	72		12.7	13.1	14.3	24.0	6.4	139.4	193.6	112.7	114.3	120.7	111.1	117.5	114.3	124.2
C50L	T	All Materials	16	76		12.7	13.1	14.3	24.0	6.4	145.8	199.9	119.1	120.7	127.0	117.5	123.8	120.7	130.6
C50L	T	All Materials	16	80		12.7	13.1	14.3	24.0	6.4	152.1	206.3	125.4	127.0	133.4	123.8	130.2	127.0	136.9
C50L	T	All Materials	16	84		12.7	13.1	14.3	24.0	6.4	158.5	212.6	131.8	133.4	139.7	130.2	136.5	133.4	143.3
C50L	T	All Materials	16	88		12.7	13.1	14.3	24.0	6.4	164.8	219.0	138.1	139.7	146.1	136.5	142.9	139.7	149.6
C50L	T	All Materials	16	92		12.7	13.1	14.3	24.0	6.4	171.2	225.3	144.5	146.1	152.4	142.9	149.2	146.1	156.0
C50L	T	All Materials	20	4		15.9	16.3	17.5	30.3	8.0	37.0	97.9	4.8	6.4	12.7	2.4	8.7	6.4	17.2
C50L	T	All Materials	20	8		15.9	16.3	17.5	30.3	8.0	43.4	104.2	11.1	12.7	19.1	8.7	15.1	12.7	23.5
C50L	T	All Materials	20	12		15.9	16.3	17.5	30.3	8.0	49.7	110.6	17.5	19.1	25.4	15.1	21.4	19.1	29.9
C50L	T	All Materials	20	16		15.9	16.3	17.5	30.3	8.0	56.1	116.9	23.8	25.4	31.8	21.4	27.8	25.4	36.2
C50L	T	All Materials	20	20		15.9	16.3	17.5	30.3	8.0	62.4	123.3	30.2	31.8	38.1	27.8	34.1	31.8	42.6
C50L	T	All Materials	20	24		15.9	16.3	17.5	30.3	8.0	68.8	129.6	36.5	38.1	44.5	34.1	40.5	38.1	48.9
C50L	T	All Materials	20	28		15.9	16.3	17.5	30.3	8.0	75.1	136.0	42.9	44.5	50.8	40.5	46.8	44.5	55.3
C50L	T	All Materials	20	32		15.9	16.3	17.5	30.3	8.0	81.5	142.3	49.2	50.8	57.2	46.8	53.2	50.8	61.6
C50L	T	All Materials	20	36		15.9	16.3	17.5	30.3	8.0	87.8	148.7	55.6	57.2	63.5	53.2	59.5	57.2	68.0
C50L	T	All Materials	20	40		15.9	16.3	17.5	30.3	8.0	94.2	155.0	61.9	63.5	69.9	59.5	65.9	63.5	74.3
C50L	T	All Materials	20	44		15.9	16.3	17.5	30.3	8.0	100.5	161.4	68.3	69.9	76.2	65.9	72.2	69.9	80.7
C50L	T	All Materials	20	48		15.9	16.3	17.5	30.3	8.0	106.9	167.7	74.6	76.2	82.6	72.2	78.6	76.2	87.0
C50L	T	All Materials	20	52		15.9	16.3	17.5	30.3	8.0	113.2	174.1	81.0	82.6	88.9	78.6	84.9	82.6	93.4
C50L	T	All Materials	20	56		15.9	16.3	17.5	30.3	8.0	119.6	180.4	87.3	88.9	95.3	84.9	91.3	88.9	99.7
C50L	T	All Materials	20	60		15.9	16.3	17.5	30.3	8.0	125.9	186.8	93.7	95.3	101.6	91.3	97.6	95.3	106.1
C50L	T	All Materials	20	64		15.9	16.3	17.5	30.3	8.0	132.3	193.1	100.0	101.6	108.0	97.6	104.0	101.6	112.4
C50L	T	All Materials	20	68		15.9	16.3	17.5	30.3	8.0	138.6	199.5	106.4	108.0	114.3	104.0	110.3	108.0	118.8
C50L	T	All Materials	20	72		15.9	16.3	17.5	30.3	8.0	145.0	205.8	112.7	114.3	120.7	110.3	116.7	114.3	125.1
C50L	T	All Materials	20	76		15.9	16.3	17.5	30.3	8.0	151.3	212.2	119.1	120.7	127.0	116.7	123.0	120.7	131.5
C50L	T	All Materials	20	80		15.9	16.3	17.5	30.3	8.0	157.7	218.5	125.4	127.0	133.4	123.0	129.4	127.0	137.8
C50L	T	All Materials	20	84		15.9	16.3	17.5	30.3	8.0	164.0	224.9	131.8	133.4	139.7	129.4	135.7	133.4	144.2
C50L	T	All Materials	20	88		15.9	16.3	17.5	30.3	8.0	170.4	231.2	138.1	139.7	146.1	135.7	142.1	139.7	150.5
C50L	T	All Materials	20	92		15.9	16.3	17.5	30.3	8.0	176.7	237.6	144.5	146.1	152.4	142.1	148.4	146.1	156.9
C50L	T	All Materials	24	4		19.1	19.5	20.7	36.7	9.6	39.2	110.6	4.8	6.4	12.7	1.6	8.0	6.4	18.2
C50L	T	All Materials	24	8		19.1	19.5	20.7	36.7	9.6	45.5	116.9	11.1	12.7	19.1	8.0	14.3	12.7	24.5
C50L	T	All Materials	24	12		19.1	19.5	20.7	36.7	9.6	51.9	123.3	17.5	19.1	25.4	14.3	20.7	19.1	30.9

HUCK® INTERACTIVE CD ROM : DIMENSIONS (CONTINUED)

C50L

Family	Headstyle	Material	Diameter	Grip	Part Number	A Nominal Dia mm	Min Hole Size mm	Max Hole Size mm	Max B mm	Max C mm	Max E mm	Max D mm	Nominal F mm	Collar Type LC Min Grip mm	Collar Type LC Max Grip mm	Collar Type 3LC Min Grip mm	Collar Type 3LC Max Grip mm	Collar Type 8LC Min Grip mm	Collar Type 8LC Max Grip mm
C50L	T	All Materials	24	16		19.1	19.5	20.7	36.7	9.6	58.2	129.6	23.8	25.4	31.8	20.7	27.0	25.4	37.2
C50L	T	All Materials	24	20		19.1	19.5	20.7	36.7	9.6	64.6	136.0	30.2	31.8	38.1	27.0	33.4	31.8	43.6
C50L	T	All Materials	24	24		19.1	19.5	20.7	36.7	9.6	70.9	142.3	36.5	38.1	44.5	33.4	39.7	38.1	49.9
C50L	T	All Materials	24	28		19.1	19.5	20.7	36.7	9.6	77.3	148.7	42.9	44.5	50.8	39.7	46.1	44.5	56.3
C50L	T	All Materials	24	32		19.1	19.5	20.7	36.7	9.6	83.6	155.0	49.2	50.8	57.2	46.1	52.4	50.8	62.6
C50L	T	All Materials	24	36		19.1	19.5	20.7	36.7	9.6	90.0	161.4	55.6	57.2	63.5	52.4	58.8	57.2	69.0
C50L	T	All Materials	24	40		19.1	19.5	20.7	36.7	9.6	96.3	167.7	61.9	63.5	69.9	58.8	65.1	63.5	75.3
C50L	T	All Materials	24	44		19.1	19.5	20.7	36.7	9.6	102.7	174.1	68.3	69.9	76.2	65.1	71.5	69.9	81.7
C50L	T	All Materials	24	48		19.1	19.5	20.7	36.7	9.6	109.0	180.4	74.6	76.2	82.6	71.5	77.8	76.2	88.0
C50L	T	All Materials	24	52		19.1	19.5	20.7	36.7	9.6	115.4	186.8	81.0	82.6	88.9	77.8	84.2	82.6	94.4
C50L	T	All Materials	24	56		19.1	19.5	20.7	36.7	9.6	121.7	193.1	87.3	88.9	95.3	84.2	90.5	88.9	100.7
C50L	T	All Materials	24	60		19.1	19.5	20.7	36.7	9.6	128.1	199.5	93.7	95.3	101.6	90.5	96.9	95.3	107.1
C50L	T	All Materials	24	64		19.1	19.5	20.7	36.7	9.6	134.4	205.8	100.0	101.6	108.0	96.9	103.2	101.6	113.4
C50L	T	All Materials	24	68		19.1	19.5	20.7	36.7	9.6	140.8	212.2	106.4	108.0	114.3	103.2	109.6	108.0	119.8
C50L	T	All Materials	24	72		19.1	19.5	20.7	36.7	9.6	147.1	218.5	112.7	114.3	120.7	109.6	115.9	114.3	126.1
C50L	T	All Materials	24	76		19.1	19.5	20.7	36.7	9.6	153.5	224.9	119.1	120.7	127.0	115.9	122.3	120.7	132.5
C50L	T	All Materials	24	80		19.1	19.5	20.7	36.7	9.6	159.8	231.2	125.4	127.0	133.4	122.3	128.6	127.0	138.8
C50L	T	All Materials	24	84		19.1	19.5	20.7	36.7	9.6	166.2	237.6	131.8	133.4	139.7	128.6	135.0	133.4	145.2
C50L	T	All Materials	24	88		19.1	19.5	20.7	36.7	9.6	172.5	243.9	138.1	139.7	146.1	135.0	141.3	139.7	151.5
C50L	T	All Materials	24	92		19.1	19.5	20.7	36.7	9.6	178.9	250.3	144.5	146.1	152.4	141.3	147.7	146.1	157.9
C50L	T	BR	28	8	C50LT-BR28-8	22.2	22.8	23.8	42.2	11.2	49.4	124.1	11.1	12.7	19.1	7.2	13.5	12.7	25.4
C50L	T	BR	28	12	C50LT-BR28-12	22.2	22.8	23.8	42.2	11.2	55.8	130.5	17.5	19.1	25.4	13.5	19.9	19.1	31.8
C50L	T	BR	28	16	C50LT-BR28-16	22.2	22.8	23.8	42.2	11.2	62.1	136.8	23.8	25.4	31.8	19.9	26.2	25.4	38.1
C50L	T	BR	28	20	C50LT-BR28-20	22.2	22.8	23.8	42.2	11.2	68.5	143.2	30.2	31.8	38.1	26.2	32.6	31.8	44.5
C50L	T	BR	28	24	C50LT-BR28-24	22.2	22.8	23.8	42.2	11.2	74.8	149.5	36.5	38.1	44.5	32.6	38.9	38.1	50.8
C50L	T	BR	28	28	C50LT-BR28-28	22.2	22.8	23.8	42.2	11.2	81.2	155.9	42.9	44.5	50.8	38.9	45.3	44.5	57.2
C50L	T	BR	28	32	C50LT-BR28-32	22.2	22.8	23.8	42.2	11.2	87.5	162.2	49.2	50.8	57.2	45.3	51.6	50.8	63.5
C50L	T	BR	28	36	C50LT-BR28-36	22.2	22.8	23.8	42.2	11.2	93.9	168.6	55.6	57.2	63.5	51.6	58.0	57.2	69.9
C50L	T	BR	28	40	C50LT-BR28-40	22.2	22.8	23.8	42.2	11.2	100.2	174.9	61.9	63.5	69.9	58.0	64.3	63.5	76.2
C50L	T	BR	28	44	C50LT-BR28-44	22.2	22.8	23.8	42.2	11.2	106.6	181.3	68.3	69.9	76.2	64.3	70.7	69.9	82.6
C50L	T	BR	28	48	C50LT-BR28-48	22.2	22.8	23.8	42.2	11.2	112.9	187.6	74.6	76.2	82.6	70.7	77.0	76.2	88.9
C50L	T	BR	28	52	C50LT-BR28-52	22.2	22.8	23.8	42.2	11.2	119.3	194.0	81.0	82.6	88.9	77.0	83.4	82.6	95.3
C50L	T	BR	28	56	C50LT-BR28-56	22.2	22.8	23.8	42.2	11.2	125.6	200.3	87.3	88.9	95.3	83.4	89.7	88.9	101.6
C50L	T	BR	28	60	C50LT-BR28-60	22.2	22.8	23.8	42.2	11.2	132.0	206.7	93.7	95.3	101.6	89.7	96.1	95.3	108.0
C50L	T	BR	28	64	C50LT-BR28-64	22.2	22.8	23.8	42.2	11.2	138.3	213.0	100.0	101.6	108.0	96.1	102.4	101.6	114.3
C50L	T	BR	28	68	C50LT-BR28-68	22.2	22.8	23.8	42.2	11.2	144.7	219.4	106.4	108.0	114.3	102.4	108.8	108.0	120.7
C50L	T	BR	28	72	C50LT-BR28-72	22.2	22.8	23.8	42.2	11.2	151.0	225.7	112.7	114.3	120.7	108.8	115.1	114.3	127.0
C50L	T	BR	28	76	C50LT-BR28-76	22.2	22.8	23.8	42.2	11.2	157.4	232.1	119.1	120.7	127.0	115.1	121.5	120.7	133.4
C50L	T	BR	28	80	C50LT-BR28-80	22.2	22.8	23.8	42.2	11.2	163.7	238.4	125.4	127.0	133.4	121.5	127.8	127.0	139.7
C50L	T	BR	28	84	C50LT-BR28-84	22.2	22.8	23.8	42.2	11.2	170.1	244.8	131.8	133.4	139.7	127.8	134.2	133.4	146.1
C50L	T	BR	28	88	C50LT-BR28-88	22.2	22.8	23.8	42.2	11.2	176.4	251.1	138.1	139.7	146.1	134.2	140.5	139.7	152.4
C50L	T	BR	28	92	C50LT-BR28-92	22.2	22.8	23.8	42.2	11.2	182.8	257.5	144.5	146.1	152.4	140.5	146.9	146.1	158.8
C50L	T	BR	32	8	C50LT-BR32-8	25.4	26.0	27.0	48.5	12.8	53.3	141.6	11.1	12.7	19.1	6.4	12.7	12.7	26.4
C50L	T	BR	32	12	C50LT-BR32-12	25.4	26.0	27.0	48.5	12.8	59.6	147.9	17.5	19.1	25.4	12.7	19.1	19.1	32.7
C50L	T	BR	32	16	C50LT-BR32-16	25.4	26.0	27.0	48.5	12.8	66.0	154.3	23.8	25.4	31.8	19.1	25.4	25.4	39.1
C50L	T	BR	32	20	C50LT-BR32-20	25.4	26.0	27.0	48.5	12.8	72.3	160.6	30.2	31.8	38.1	25.4	31.8	31.8	45.4
C50L	T	BR	32	24	C50LT-BR32-24	25.4	26.0	27.0	48.5	12.8	78.7	167.0	36.5	38.1	44.5	31.8	38.1	38.1	51.8
C50L	T	BR	32	28	C50LT-BR32-28	25.4	26.0	27.0	48.5	12.8	85.0	173.3	42.9	44.5	50.8	38.1	44.5	44.5	58.1
C50L	T	BR	32	32	C50LT-BR32-32	25.4	26.0	27.0	48.5	12.8	91.4	179.7	49.2	50.8	57.2	44.5	50.8	50.8	64.5
C50L	T	BR	32	36	C50LT-BR32-36	25.4	26.0	27.0	48.5	12.8	97.7	186.0	55.6	57.2	63.5	50.8	57.2	57.2	70.8
C50L	T	BR	32	40	C50LT-BR32-40	25.4	26.0	27.0	48.5	12.8	104.1	192.4	61.9	63.5	69.9	57.2	63.5	63.5	77.2

HUCK® INTERACTIVE CD ROM : DIMENSIONS (CONTINUED)

C50L

Family	Headstyle	Material	Diameter	Grip	Part Number	A Nominal Dia mm	Min Hole Size mm	Max Hole Size mm	Max B mm	Max C mm	Max E mm	Max D mm	Nominal F mm	Collar Type	Collar Type	Collar Type	Collar Type	Collar Type	Collar Type
														LC Min Grip mm	LC Max Grip mm	3LC Min Grip mm	3LC Max Grip mm	8LC Min Grip mm	8LC Max Grip mm
C50L	T	BR	32	44	C50LT-BR32-44	25.4	26.0	27.0	48.5	12.8	110.4	198.7	68.3	69.9	76.2	63.5	69.9	69.9	83.5
C50L	T	BR	32	48	C50LT-BR32-48	25.4	26.0	27.0	48.5	12.8	116.8	205.1	74.6	76.2	82.6	69.9	76.2	76.2	89.9
C50L	T	BR	32	52	C50LT-BR32-52	25.4	26.0	27.0	48.5	12.8	123.1	211.4	81.0	82.6	88.9	76.2	82.6	82.6	96.2
C50L	T	BR	32	56	C50LT-BR32-56	25.4	26.0	27.0	48.5	12.8	129.5	217.8	87.3	88.9	95.3	82.6	88.9	88.9	102.6
C50L	T	BR	32	60	C50LT-BR32-60	25.4	26.0	27.0	48.5	12.8	135.8	224.1	93.7	95.3	101.6	88.9	95.3	95.3	108.9
C50L	T	BR	32	64	C50LT-BR32-64	25.4	26.0	27.0	48.5	12.8	142.2	230.5	100.0	101.6	108.0	95.3	101.6	101.6	115.3
C50L	T	BR	32	68	C50LT-BR32-68	25.4	26.0	27.0	48.5	12.8	148.5	236.8	106.4	108.0	114.3	101.6	108.0	108.0	121.6
C50L	T	BR	32	72	C50LT-BR32-72	25.4	26.0	27.0	48.5	12.8	154.9	243.2	112.7	114.3	120.7	108.0	114.3	114.3	128.0
C50L	T	BR	32	76	C50LT-BR32-76	25.4	26.0	27.0	48.5	12.8	161.2	249.5	119.1	120.7	127.0	114.3	120.7	120.7	134.3
C50L	T	BR	32	80	C50LT-BR32-80	25.4	26.0	27.0	48.5	12.8	167.6	255.9	125.4	127.0	133.4	120.7	127.0	127.0	140.7
C50L	T	BR	32	84	C50LT-BR32-84	25.4	26.0	27.0	48.5	12.8	173.9	262.2	131.8	133.4	139.7	127.0	133.4	133.4	147.0
C50L	T	BR	32	88	C50LT-BR32-88	25.4	26.0	27.0	48.5	12.8	180.3	268.6	138.1	139.7	146.1	133.4	139.7	139.7	153.4
C50L	T	BR	32	92	C50LT-BR32-92	25.4	26.0	27.0	48.5	12.8	186.6	274.9	144.5	146.1	152.4	139.7	146.1	146.1	159.7
C50L	T	BR	36	28	C50LT-BR36-28	28.6	28.5	30.2	54.1	14.3	89.5	178.1	40.8	44.5	50.8	0.0	0.0	0.0	0.0
C50L	T	BR	36	32	C50LT-BR36-32	28.6	28.5	30.2	54.1	14.3	95.9	184.4	47.2	50.8	57.2	0.0	0.0	0.0	0.0
C50L	T	BR	36	36	C50LT-BR36-36	28.6	28.5	30.2	54.1	14.3	102.2	190.8	53.5	57.2	63.5	0.0	0.0	0.0	0.0
C50L	T	BR	36	40	C50LT-BR36-40	28.6	28.5	30.2	54.1	14.3	108.6	197.1	59.9	63.5	69.9	0.0	0.0	0.0	0.0
C50L	T	BR	36	44	C50LT-BR36-44	28.6	28.5	30.2	54.1	14.3	114.9	203.5	66.2	69.9	76.2	0.0	0.0	0.0	0.0
C50L	T	BR	36	48	C50LT-BR36-48	28.6	28.5	30.2	54.1	14.3	121.3	209.8	72.6	76.2	82.6	0.0	0.0	0.0	0.0
C50L	T	BR	36	52	C50LT-BR36-52	28.6	28.5	30.2	54.1	14.3	127.6	216.2	78.9	82.6	88.9	0.0	0.0	0.0	0.0
C50L	T	BR	36	56	C50LT-BR36-56	28.6	28.5	30.2	54.1	14.3	134.0	222.5	85.3	88.9	95.3	0.0	0.0	0.0	0.0
C50L	T	BR	36	60	C50LT-BR36-60	28.6	28.5	30.2	54.1	14.3	140.3	228.9	91.6	95.3	101.6	0.0	0.0	0.0	0.0
C50L	T	BR	36	64	C50LT-BR36-64	28.6	28.5	30.2	54.1	14.3	146.7	235.2	98.0	101.6	108.0	0.0	0.0	0.0	0.0
C50L	T	BR	36	68	C50LT-BR36-68	28.6	28.5	30.2	54.1	14.3	153.0	241.6	104.3	108.0	114.3	0.0	0.0	0.0	0.0
C50L	T	BR	36	72	C50LT-BR36-72	28.6	28.5	30.2	54.1	14.3	159.4	247.9	110.7	114.3	120.7	0.0	0.0	0.0	0.0
C50L	T	BR	36	76	C50LT-BR36-76	28.6	28.5	30.2	54.1	14.3	165.7	254.3	117.0	120.7	127.0	0.0	0.0	0.0	0.0
C50L	T	BR	36	80	C50LT-BR36-80	28.6	28.5	30.2	54.1	14.3	172.1	260.6	123.4	127.0	133.4	0.0	0.0	0.0	0.0
C50L	T	BR	36	84	C50LT-BR36-84	28.6	28.5	30.2	54.1	14.3	178.4	267.0	129.7	133.4	139.7	0.0	0.0	0.0	0.0
C50L	T	BR	36	88	C50LT-BR36-88	28.6	28.5	30.2	54.1	14.3	184.8	273.3	136.1	139.7	146.1	0.0	0.0	0.0	0.0
C50L	T	BR	36	92	C50LT-BR36-92	28.6	28.5	30.2	54.1	14.3	191.1	279.7	142.4	146.1	152.4	0.0	0.0	0.0	0.0

HUCK® INTERACTIVE CD ROM : STRENGTHS & INSTALLED DIMENSIONS

C50L

Unless stated all values are minimum

Product		SHEAR		TENSILE - Bare		TENSILE - PLATED		TENSILE - BRIGHT DIP		CLAMP		Pin Retention		Typical SHEAR		Typical TENSILE - PLATED		Typical Pin Retention		Typical CLAMP		R Max	S Max	T Min	U Max	Collar Type
		Newtons	kN	Newtons	kN	Newtons	kN	Newtons	kN	Newtons	kN	Newtons	kN	Newtons	kN	Newtons	kN	Newtons	kN	Newtons	kN	mm	mm	mm	mm	
C50LR-BR16	All grip sizes	64054	64.1	75842	75.8	75842	75.8	0	0	53601	53.6	0	0	0	0	0	0	0	0	0	0	1.6	9.5	10.3	18.6	LC and 3 LC collars
C50LR-BR20	All grip sizes	100085	100.1	120547	120.5	120547	120.5	0	0	85406	85.4	0	0	0	0	0	0	0	0	0	0	1.6	9.5	15.9	23.3	LC and 3 LC collars
C50LR-BR24	All grip sizes	144122	144.1	178374	178.4	178374	178.4	0	0	126329	126.3	0	0	0	0	0	0	0	0	0	0	1.6	9.5	16.7	28.2	LC and 3 LC collars
C50LR-BR28	All grip sizes	193053	193.1	246654	246.7	246654	246.7	0	0	174593	174.6	0	0	0	0	0	0	0	0	0	0	1.6	9.5	19.1	32.6	LC and 3 LC collars
C50LR-BR32	All grip sizes	251325	251.3	323386	323.4	323386	323.4	0	0	229083	229.1	0	0	0	0	0	0	0	0	0	0	1.6	9.5	22.2	37.2	LC and 3 LC collars
C50LR-BR36	All grip sizes	309151	309.2	368980	369	368980	369	0	0	259999	260	0	0	0	0	0	0	0	0	0	0	1.6	9.5	23.0	41.8	LC and 3 LC collars
C50LR-C16	All grip sizes	32472	32.5	34919	34.9	0	0	0	0	26245	26.2	0	0	0	0	0	0	0	0	0	0	1.6	9.5	10.3	18.6	LC and 3 LC collars
C50LR-C20	All grip sizes	50710	50.7	54713	54.7	0	0	0	0	40924	40.9	0	0	0	0	0	0	0	0	0	0	1.6	9.5	15.9	23.3	LC and 3 LC collars
C50LR-C24	All grip sizes	72951	73	78734	78.7	0	0	0	0	59161	59.2	0	0	0	0	0	0	0	0	0	0	1.6	9.5	16.7	28.2	LC and 3 LC collars
C50LR-F16	All grip sizes	23576	23.6	21796	21.8	0	0	0	0	19572	19.6	0	0	0	0	0	0	0	0	0	0	1.6	9.5	10.3	18.6	LC and 3 LC collars
C50LR-F20	All grip sizes	36920	36.9	34118	34.1	0	0	0	0	30693	30.7	0	0	0	0	0	0	0	0	0	0	1.6	9.5	15.9	23.3	LC and 3 LC collars
C50LR-F24	All grip sizes	52934	52.9	49108	49.1	0	0	0	0	44260	44.3	0	0	0	0	0	0	0	0	0	0	1.6	9.5	16.7	28.2	LC and 3 LC collars
C50LR-U16	All grip sizes	61830	61.8	75842	75.8	0	0	0	0	53601	53.6	0	0	0	0	0	0	0	0	0	0	1.6	9.5	10.3	18.6	LC and 3 LC collars
C50LR-U20	All grip sizes	93413	93.4	120547	120.5	0	0	0	0	85406	85.4	0	0	0	0	0	0	0	0	0	0	1.6	9.5	15.9	23.3	LC and 3 LC collars
C50LR-U24	All grip sizes	134781	134.8	178374	178.4	0	0	0	0	126329	126.3	0	0	0	0	0	0	0	0	0	0	1.6	9.5	16.7	28.2	LC and 3 LC collars
C50L90-BR16	All grip sizes	64054	64.1	75842	75.8	75842	75.8	0	0	53601	53.6	0	0	0	0	0	0	0	0	0	0	1.6	9.5	10.3	18.6	LC and 3 LC collars
C50L90-BR20	All grip sizes	100085	100.1	120547	120.5	120547	120.5	0	0	85406	85.4	0	0	0	0	0	0	0	0	0	0	1.6	9.5	15.9	23.3	LC and 3 LC collars
C50L90-BR24	All grip sizes	144122	144.1	178374	178.4	178374	178.4	0	0	126329	126.3	0	0	0	0	0	0	0	0	0	0	1.6	9.5	16.7	28.2	LC and 3 LC collars
C50L90-BR28	All grip sizes	193053	193.1	246654	246.7	246654	246.7	0	0	174593	174.6	0	0	0	0	0	0	0	0	0	0	1.6	9.5	19.1	32.6	LC and 3 LC collars
C50L90-BR32	All grip sizes	251325	251.3	323386	323.4	323386	323.4	0	0	229083	229.1	0	0	0	0	0	0	0	0	0	0	1.6	9.5	22.2	37.2	LC and 3 LC collars
C50L90-C16	All grip sizes	32472	32.5	34919	34.9	0	0	0	0	26245	26.2	0	0	0	0	0	0	0	0	0	0	1.6	9.5	10.3	18.6	LC and 3 LC collars
C50L90-C20	All grip sizes	50710	50.7	54713	54.7	0	0	0	0	40924	40.9	0	0	0	0	0	0	0	0	0	0	1.6	9.5	15.9	23.3	LC and 3 LC collars
C50L90-C24	All grip sizes	72951	73	78734	78.7	0	0	0	0	59161	59.2	0	0	0	0	0	0	0	0	0	0	1.6	9.5	16.7	28.2	LC and 3 LC collars
C50L90-F16	All grip sizes	23576	23.6	21796	21.8	0	0	0	0	19572	19.6	0	0	0	0	0	0	0	0	0	0	1.6	9.5	10.3	18.6	LC and 3 LC collars
C50L90-F20	All grip sizes	36920	36.9	34118	34.1	0	0	0	0	30693	30.7	0	0	0	0	0	0	0	0	0	0	1.6	9.5	15.9	23.3	LC and 3 LC collars
C50L90-F24	All grip sizes	52934	52.9	49108	49.1	0	0	0	0	44260	44.3	0	0	0	0	0	0	0	0	0	0	1.6	9.5	16.7	28.2	LC and 3 LC collars
C50L90-U16	All grip sizes	61830	61.8	75842	75.8	0	0	0	0	53601	53.6	0	0	0	0	0	0	0	0	0	0	1.6	9.5	10.3	18.6	LC and 3 LC collars
C50L90-U20	All grip sizes	93413	93.4	120547	120.5	0	0	0	0	85406	85.4	0	0	0	0	0	0	0	0	0	0	1.6	9.5	15.9	23.3	LC and 3 LC collars
C50L90-U24	All grip sizes	134781	134.8	178374	178.4	0	0	0	0	126329	126.3	0	0	0	0	0	0	0	0	0	0	1.6	9.5	16.7	28.2	LC and 3 LC collars
C50LT-BR16	All grip sizes	64054	64.1	75842	75.8	75842	75.8	0	0	53601	53.6	0	0	0	0	0	0	0	0	0	0	1.6	9.5	10.3	18.6	LC and 3 LC collars
C50LT-BR20	All grip sizes	100085	100.1	120547	120.5	120547	120.5	0	0	85406	85.4	0	0	0	0	0	0	0	0	0	0	1.6	9.5	15.9	23.3	LC and 3 LC collars
C50LT-BR24	All grip sizes	144122	144.1	178374	178.4	178374	178.4	0	0	126329	126.3	0	0	0	0	0	0	0	0	0	0	1.6	9.5	16.7	28.2	LC and 3 LC collars
C50LT-BR28	All grip sizes	193053	193.1	246654	246.7	246654	246.7	0	0	174593	174.6	0	0	0	0	0	0	0	0	0	0	1.6	9.5	19.1	32.6	LC and 3 LC collars
C50LT-BR32	All grip sizes	251325	251.3	323386	323.4	323386	323.4	0	0	229083	229.1	0	0	0	0	0	0	0	0	0	0	1.6	9.5	22.2	37.2	LC and 3 LC collars
C50LT-BR36	All grip sizes	309151	309.2	368980	369	368980	369	0	0	259999	260	0	0	0	0	0	0	0	0	0	0	1.6	9.5	23.0	41.8	LC and 3 LC collars
C50LT-C16	All grip sizes	32472	32.5	34919	34.9	0	0	0	0	26245	26.2	0	0	0	0	0	0	0	0	0	0	1.6	9.5	10.3	18.6	LC and 3 LC collars
C50LT-C20	All grip sizes	50710	50.7	54713	54.7	0	0	0	0	40924	40.9	0	0	0	0	0	0	0	0	0	0	1.6	9.5	15.9	23.3	LC and 3 LC collars
C50LT-C24	All grip sizes	72951	73	78734	78.7	0	0	0	0	59161	59.2	0	0	0	0	0	0	0	0	0	0	1.6	9.5	16.7	28.2	LC and 3 LC collars
C50LT-F16	All grip sizes	23576	23.6	21796	21.8	0	0	0	0	19572	19.6	0	0	0	0	0	0	0	0	0	0	1.6	9.5	10.3	18.6	LC and 3 LC collars
C50LT-F20	All grip sizes	36920	36.9	34118	34.1	0	0	0	0	30693	30.7	0	0	0	0	0	0	0	0	0	0	1.6	9.5	15.9	23.3	LC and 3 LC collars
C50LT-F24	All grip sizes	52934	52.9	49108	49.1	0	0	0	0	44260	44.3	0	0	0	0	0	0	0	0	0	0	1.6	9.5	16.7	28.2	LC and 3 LC collars
C50LT-U16	All grip sizes	61830	61.8	75842	75.8	0	0	0	0	53601	53.6	0	0	0	0	0	0	0	0	0	0	1.6	9.5	10.3	18.6	LC and 3 LC collars
C50LT-U20	All grip sizes	93413	93.4	120547	120.5	0	0	0	0	85406	85.4	0	0	0	0	0	0	0	0	0	0	1.6	9.5	15.9	23.3	LC and 3 LC collars
C50LT-U24	All grip sizes	134781	134.8	178374	178.4	0	0	0	0	126329	126.3	0	0	0	0	0	0	0	0	0	0	1.6	9.5	16.7	28.2	LC and 3 LC collars

HUCK® INTERACTIVE CD ROM : COLLARS

C50L

Type	STA	Mat	Dia	Part Number	K Diameter Max	L Max
					mm	mm
	LC	2R	16	LC-2R16	20.5	16.4
	LC	F	16	LC-F16	20.5	16.4
	LC	I	16	LC-I16	20.5	16.4
	LC	2CU	16	LC-2CU16	20.5	16.4
	LC	2R	20	LC-2R20	25.0	21.8
	LC	F	20	LC-F20	25.0	21.8
	LC	I	20	LC-I20	25.0	21.8
	LC	2CU	20	LC-2CU20	25.0	21.8
	LC	2R	24	LC-2R24	30.1	24.5
	LC	F	24	LC-F24	30.1	24.5
	LC	I	24	LC-I24	30.1	24.5
	LC	2CU	24	LC-2CU24	30.1	24.5
	LC	2R	28	LC-2R28	35.1	28.5
	LC	F	28	LC-F28	35.1	28.5
	LC	I	28	LC-I28	35.1	28.5
	LC	2CU	28	LC-2CU28	35.1	28.5
	LC	2R	32	LC-2R32	40.0	32.6
	LC	F	32	LC-F32	40.0	32.6
	LC	I	32	LC-I32	40.0	32.6
	LC	2CU	32	LC-2CU32	40.0	32.6
	LC	2R	36	LC-2R36	45.1	36.7
	LC	F	36	LC-F36	45.1	36.7
	LC	I	36	LC-I36	45.1	36.7
	LC	2CU	36	LC-2CU36	45.1	36.7
3	LC	2R	16	LC-2R16	26.4	19.5
3	LC	F	16	LC-F16	26.4	19.5
3	LC	I	16	LC-I16	26.4	19.5
3	LC	2CU	16	LC-2CU16	26.4	19.5
3	LC	2R	20	LC-2R20	32.5	24.6
3	LC	F	20	LC-F20	32.5	24.6
3	LC	I	20	LC-I20	32.5	24.6
3	LC	2CU	20	LC-2CU20	32.5	24.6
3	LC	2R	24	LC-2R24	38.7	29.4
3	LC	F	24	LC-F24	38.7	29.4
3	LC	I	24	LC-I24	38.7	29.4
3	LC	2CU	24	LC-2CU24	38.7	29.4
3	LC	2R	28	LC-2R28	41.1	34.1
3	LC	F	28	LC-F28	41.1	34.1
3	LC	I	28	LC-I28	41.1	34.1
3	LC	2CU	28	LC-2CU28	41.1	34.1
3	LC	2R	32	LC-2R32	48.3	38.7
3	LC	F	32	LC-F32	48.3	38.7
3	LC	I	32	LC-I32	48.3	38.7
3	LC	2CU	32	LC-2CU32	48.3	38.7
8	LC	2R	16	LC-2R16	Consult Huck	Consult Huck
8	LC	F	16	LC-F16	Consult Huck	Consult Huck
8	LC	I	16	LC-I16	Consult Huck	Consult Huck
8	LC	2CU	16	LC-2CU16	Consult Huck	Consult Huck
8	LC	2R	20	LC-2R20	25.1	17.9
8	LC	F	20	LC-F20	25.1	17.9
8	LC	I	20	LC-I20	25.1	17.9
8	LC	2CU	20	LC-2CU20	25.1	17.9

HUCK® INTERACTIVE CD ROM : COLLARS (CONTINUED)

C50L

Type	STA	Mat	Dia	Part Number	K Diameter Max mm	L Max mm
8	LC	2R	24	LC-2R24	30.1	19.1
8	LC	F	24	LC-F24	30.1	19.1
8	LC	I	24	LC-I24	30.1	19.1
8	LC	2CU	24	LC-2CU24	30.1	19.1
8	LC	2R	28	LC-2R28	35.1	22.1
8	LC	F	28	LC-F28	35.1	22.1
8	LC	I	28	LC-I28	35.1	22.1
8	LC	2CU	28	LC-2CU28	35.1	22.1
8	LC	2R	32	LC-2R32	Consult Huck	Consult Huck
8	LC	F	32	LC-F32	Consult Huck	Consult Huck
8	LC	I	32	LC-I32	Consult Huck	Consult Huck
8	LC	2CU	32	LC-2CU32	Consult Huck	Consult Huck

HUCK® INTERACTIVE CD ROM : HEADSTYLES

ALL PRODUCTS

Name	Family	Part	Type	Description
C120L	C120L	Collar	2	Standard
C120L	C120L	Collar	3	Flanged
C120L	C120L	Collar	8	Low Profile
C120L	C120L	Pin	B	Brazier
C120L	C120L	Pin	T	Truss
C120L	C120L	Pin	90	Countersunk
C6L	C6L	Collar	2	Standard
C6L	C6L	Collar	3	Flanged
C6L	C6L	Collar	8	Low Profile
C6L	C6L	Pin	B	Brazier
C6L	C6L	Pin	T	Truss
C6L	C6L	Pin	90	Countersunk
Magna-Grip	MGP	Pin	B	Button
Magna-Grip	MGP	Pin	T	Truss
Magna-Grip	MGP	Pin	30	Broad Truss
Magna-Grip	MGP	Pin	90	90 Degree Countersunk
Magna-Grip	MGP	Pin	98T	Rivet
Magna-Grip	MG	Collar	C	Standard Flange
Magna-Grip	MG	Collar	CS	Medium Flange
Magna-Grip	MG	Collar	CW	Wide Flange
Hucktainer	HLP	Pin	P	Standard Low Profile
Hucktainer	HLP	Pin	E	Encapsulated
Hucktainer	HLP	Pin	M	Medium sized encapsulated
Hucktainer	HLP	Collar	S	Wide bearing sleeve
Hucktainer	HLP	Collar	SM	Medium bearing sleeve
Hucktainer	HLP	Collar	SC	Clearance sleeve
Hucktainer	HLP	Collar	SGC	Short grip clearance sleeve
Hucktainer	HLP	Collar	SGM	Short grip medium sleeve
Hucktainer	HLP	Collar	SG	Short grip wide bearing sleeve
C50L	C50L	Pin	R	Round
C50L	C50L	Pin	T	Truss
C50L	C50L	Pin	90	90 Degree Countersunk
C50L	C50L	Collar	LC	Standard
C50L	C50L	Collar	3LC	Flanged

Name	Family	Part	Type	Description
C50L	C50L	Collar	8LC	Low Profile
HP8	HP8	Pin	F	Flanged
HP8	HP	Collar	BF	Flanged
Huck-Fit	MHF	Pin	F	Flanged
Huck-Fit	MHF	Pin	P8	Freightliner
Huck-Fit	MH	Collar	CH	Threaded Hex Flange
Huck-Spin	MHS	Collar	H	Threaded Hex Flange
Huck-Spin	MHS	Collar	CF	Round Flange
Huck-Spin	MHS	Pin	F	Hexagonal
Huck-Spin	MHS	Pin	PF	Round
Small diameter Huck-Spin	HS2	Pin	B	Brazied
Small diameter Huck-Spin	HS5	Pin	B	Brazied
Small diameter Huck-Spin	HS8	Pin	B	Brazied
Small diameter Huck-Spin	HS2	Pin	90	90 Degree Countersunk
Small diameter Huck-Spin	HS5	Pin	90	90 Degree Countersunk
Small diameter Huck-Spin	HS2	Collar	F	Flanged
Small diameter Huck-Spin	HS5	Collar	F	Flanged
Small diameter Huck-Spin	HS8	Collar	F	Flanged
Magna-Lok	MGL	Blind	P	Protunding
Magna-Lok	MGL	Blind	T	Truss
Magna-Lok	MGL	Blind	100	100 Degree Countersunk
Magna-Bulb	MB	Blind	P	Protunding
Auto-Bulb	AB	Blind	P	Protunding
Magna-Tite	MT	Blind	P	Protunding
Magna-Tite	MT	Blind	V	100 Degree Oval
Magna-Tite	MT	Blind	S	Shavable
Magna-Tite	MT	Blind	LP	Low Profile
Huck-Lok	HKL	Blind	P	Protunding
FloorTight	PMF	Blind		Installation in Plywood
FloorTight	PMF	Blind		Installation in Plymetal

*BOM does not have a headstyle

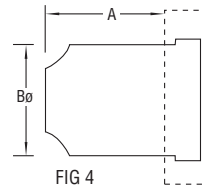
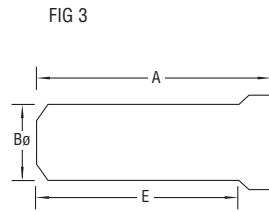
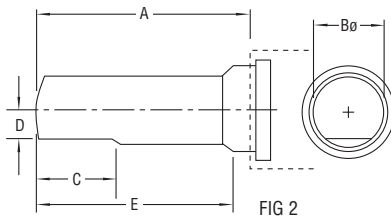
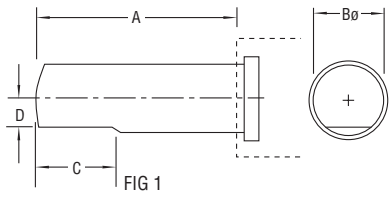
HUCK® INTERACTIVE CD ROM : MATERIALS & COATINGS

ALL PRODUCTS

Family	Part	Material Code	Material	Standard Coating	Standard Coating Code	Tab-Lok Available
Auto-Bulb	Pin	R	Medium Carbon Steel	"Zinc plate, gold chromate"		
Auto-Bulb	Sleeve	R	Low Carbon Steel	"Zinc plate, gold chromate"		
BOM	Pin - 4.8mm to 7.9mm diameter	R	Carbon Steel	Bare		
BOM	Pin - 9.5mm to 19.1mm diameter	R	Alloy Steel	Bare		
BOM	Sleeve	R	Carbon Steel	Zinc plating per spec ASTM B633 or ASTM B695. Meets specification of QQ-Z-235 and MIL-C-81562		
C120L	Collar	R/2R	Low Carbon Steel	"Zinc plate, clear chromate"	G	
C120L	Pin	R	Carbon Steel/Carbon Boron Steel	"Zinc plate, clear chromate"	G	
C50L	Collar	2CU	Stainless Steel	Pasivated	-	Yes
C50L	Collar	2R	Low Carbon Steel	"Zinc plate, clear chromate"	G	Yes
C50L	Collar	F	6061 Aged Aluminium Alloy	Pasivated	-	Yes
C50L	Collar	I	6061 Aluminium Alloy	Pasivated	-	Yes
C50L	Pin	BR	Carbon Steel/Carbon Boron Steel	Bare	-	
C50L	Pin	C	2024 Aluminium Alloy	Pasivated	-	
C50L	Pin	F	6061 Aluminium Alloy	Pasivated	-	
C50L	Pin	U	Stainless Steel	Pasivated	-	
C6L	Collar	2CU	Stainless Steel	"Zinc plate, clear chromate"	G	
C6L	Collar	F	5062 Aluminium Alloy	"Zinc plate, clear chromate"	G	
C6L	Collar	I	6061 Aluminium Alloy	"Zinc plate, clear chromate"	G	
C6L	Collar	R/2R	Low Carbon Steel	"Zinc plate, clear chromate"	G	
C6L	Pin	C	Aluminium Alloy	"Zinc plate, clear chromate"	G	
C6L	Pin	F	Aluminium Alloy	"Zinc plate, clear chromate"	G	
C6L	Pin	R	Carbon Steel/Carbon Boron Steel	"Zinc plate, clear chromate"	G	
C6L	Pin	U	Stainless Steel	"Zinc plate, clear chromate"	G	
FloorTight	Pin	R	Steel	Black		
FloorTight	Sleeve	R	Steel	Zinc electroplate eith gold chromate		
HP8	Collar	R	Low Carbon Steel	"Zinc plate, clear chromate"	G	Yes
HP8	Pin	DT	Medium Carbon Steel	Bare	-	
Huck-Fit	Collar		Low Carbon Steel	"Zinc plate, gold chromate"	U	Yes
Huck-Fit	Pin	DT	Carbon Steel/Carbon Boron Steel	Bare	-	
HuckLok	Pin	R	Medium Carbon Steel	"Zinc plate, clear chromate"		
HuckLok	Sleeve	R	Low Carbon Steel	"Zinc plate, clear chromate"		
Huck-Spin	Collar	R	Low Carbon Steel	"Zinc plate, gold chromate"	U	
Huck-Spin	Pin	DT	Carbon Steel/Carbon Boron Steel	Consult Huck	-	
Small Diameter Huck-Spin	Collar	R	Low Carbon Steel	Consult Huck		
Small Diameter Huck-Spin	Pin	R	Low Carbon Steel	Consult Huck		
Small Diameter Huck-Spin	Pin	DT	Carbon Steel/Carbon Boron Steel	Consult Huck		
Hucktainer Plus	Collar	R	Low Carbon Steel	"Zinc plate, gold chromate"	U	
Hucktainer Plus	Pin	R	Low Carbon Steel	"Zinc plate, clear chromate"	G	
Magna-Bulb	Pin	R	Medium Carbon Steel	"Zinc plate, gold chromate"		
Magna-Bulb	Sleeve	R	Low Carbon Steel	"Zinc plate, gold chromate"		
Magna-Grip	Collar	F	7075-T6 Aluminium Alloy		-	Yes
Magna-Grip	Collar	R	Low Carbon Steel	"Zinc plate, clear chromate"	G	Yes
Magna-Grip	Pin	E	6061 Aluminium Alloy		-	
Magna-Grip	Pin	R	Carbon Steel	"Zinc plate, clear chromate"	G	
Magna-Lok	Pin	B	7075 Aluminium Alloy	Gold chromate		
Magna-Lok	Pin	R	Medium Carbon Steel	"Zinc plate, gold chromate"		
Magna-Lok	Pin	U	Stainless Steel	Pasivated		
Magna-Lok	Sleeve	B	5056 Aluminium Alloy	Clear chromate		
Magna-Lok	Sleeve	R	Low Carbon Steel	"Zinc plate, clear chromate"		
Magna-Lok	Sleeve	U	Stainless Steel	Pasivated		
Magna-Tite	Pin	B	Aluminum Alloy	Consult Huck		
Magna-Tite	Sleeve	B	Aluminum Alloy	Consult Huck		

HUCK® INTERACTIVE CD ROM : NOSE ASSEMBLIES

C50L



HUCK® INTERACTIVE CD ROM : TOOLING MATRIX

C50L

Dia.	Nose Assembly Options		Nose Assembly Dimensions					Hydraulic Tool Options				Powerig Options				Hose Set Options					
	FOCUS	Non-FOCUS	Ø					FOCUS		Non-FOCUS		FOCUS		Non-FOCUS		FOCUS	Non-FOCUS				
			Fig.	A mm	B mm	C mm	D mm	E mm	1	2	3	4	1	2	3	4	5	6	1	2	
16	99-5002		1	104.5	44.5	58.5	19.7	-	2620-PT		2620			HK432-2 Series	HK3413 Series	HP74 Series		HK4245 Series		HS - 10 - MCE (Length 10 Metres)	*
		99-5005	1	193.0	44.5	146	19.7	-	2620-PT		2620			HK432-2 Series	HK3413 Series	HP74 Series		HK4245 Series		HS - 10 - MCE (Length 10 Metres)	*
		99-6000	3	135.5	42.8	-	-	105.5			HPT25H	HPT25RH		HK432-2 Series	HK3413 Series	HP74 Series	HP116 Series	HK4245 Series		HS - 10 - MCE (Length 10 Metres)	*
20	99-5008		2	109.5	52.5	58.5	22.9	98.5	2628					HK432-2 Series	HK3413 Series	HP74 Series	HP116 Series	HK4245 Series		HS - 10 - MCE (Length 10 Metres)	*
		99-5008	2	109.5	52.5	58.5	22.9	98.5			2624			HK432-2 Series	HK3413 Series	HP74 Series		HK4245 Series		HS - 10 - MCE (Length 10 Metres)	*
		99-5009	1	182.0	55.5	171.5	24.5**	-	2628					HK432-2 Series	HK3413 Series	HP74 Series	HP116 Series	HK4245 Series		HS - 10 - MCE (Length 10 Metres)	*
24		99-5009	1	177.5	55.5	171.5	24.5**	-			2624			HK432-2 Series	HK3413 Series	HP74 Series		HK4245 Series		HS - 10 - MCE (Length 10 Metres)	*
		99-6001	3	172.5	49.5	-	-	144.0			HPT35H	HPT35RH		HK432-2 Series	HK3413 Series	HP74 Series		HK4245 Series		HS - 10 - MCE (Length 10 Metres)	*
	99-5010		1	122.5	55.5	58.0	24.6	-	2628					HK432-2 Series	HK3413 Series	HP74 Series		HK4245 Series		HS - 10 - MCE (Length 10 Metres)	*
28		99-5013	1	177.5	55.5	171.5	26.3**	-	2628					HK432-2 Series	HK3413 Series	HP74 Series		HK4245 Series		HS - 10 - MCE (Length 10 Metres)	*
		99-6002	3	194.0	55.5	-	-	163.0			HPT57H	HPT57RH		HK432-2 Series	HK3413 Series	HP74 Series	HP116 Series	HK4245 Series		HS - 10 - MCE (Length 10 Metres)	*
		99-5014	1	74.0	69.9	54.0	30.4	-			2630			HK432-2 Series	HK3413 Series	HP74 Series	HP116 Series	HK4245 Series		HS - 10 - MCE (Length 10 Metres)	*
32		99-5015	1	178.0	69.9	172.5	32.5**	-			2630			HK432-2 Series	HK3413 Series	HP74 Series	HP116 Series	HK4245 Series		HS - 10 - MCE (Length 10 Metres)	*
		99-6003	3	216.0	69.9	-	-	184.0			HPT70			HK432-2 Series	HK3413 Series			HK4245 Series		HS - 10 - MCE (Length 10 Metres)	*
	99-5016		1	88.5	82.6	70.0	38.1**	-	507					HK432-2 Series	HK3413 Series	HP74 Series	HP116 Series	HK4245 Series	PP275/40	HS - 10 - MCE (Length 10 Metres)	*
36		99-5016FP	4	93.0	82.6	-	-	-	507					HK432-2 Series	HK3413 Series	HP74 Series	HP116 Series	HK4245 Series	PP275/40	HS - 10 - MCE (Length 10 Metres)	*
		99-5017	1	178.0	82.6	171.5	38.1**	-	507					HK432-2 Series	HK3413 Series	HP74 Series	HP116 Series	HK4245 Series	PP275/40	HS - 10 - MCE (Length 10 Metres)	*
		99-6004	3	237.0	82.6	-	-	205.0			HPT90			HK432-2 Series	HK3413 Series	HP74 Series		HK4245 Series		HS - 10 - MCE (Length 10 Metres)	*
36		99-5019	1	94.0	82.6	70.0	38.1**	-	507					HK432-2 Series	HK3413 Series	HP74 Series	HP116 Series	HK4245 Series	PP275/40	HS - 10 - MCE (Length 10 Metres)	*
		99-5019FP	4	94.0	82.6	-	-	-	507					HK432-2 Series	HK3413 Series	HP74 Series	HP116 Series	HK4245 Series	PP275/40	HS - 10 - MCE (Length 10 Metres)	*
		99-5020	1	183.5	82.6	170.0	38.1**	-	507					HK432-2 Series	HK3413 Series	HP74 Series	HP116 Series	HK4245 Series	PP275/40	HS - 10 - MCE (Length 10 Metres)	*
	99-6006	3	242.5	82.6	-	-	210.5			HPT90			HK432-2 Series	HK3413 Series	HP74 Series		HK4245 Series		HS - 10 - MCE (Length 10 Metres)	*	

* Contact Huck for availability of other Hose Set lengths.

** (2 FLATS)